



US00D589115S

(12) **United States Design Patent**
Burnell, Jr.

(10) **Patent No.:** **US D589,115 S**

(45) **Date of Patent:** **** Mar. 24, 2009**

(54) **BASKET STRAINER HOLDER**

2007/0025811 A1* 2/2007 Wilhelm 403/300
2008/0041891 A1* 2/2008 Bradley 222/521

(76) Inventor: **Stanley Joseph Burnell, Jr.**, 604
Berkshire Rd., Portsmouth, VA (US)
23701

* cited by examiner

Primary Examiner—Cathron C Brooks
Assistant Examiner—Michael A Pratt
(74) *Attorney, Agent, or Firm*—William G. Sykes

(**) Term: **14 Years**

(21) Appl. No.: **29/271,296**

(57) **CLAIM**

(22) Filed: **Jan. 16, 2007**

The ornamental design for a basket strainer holder, as shown.

(51) **LOC (9) Cl.** **23-01**

(52) **U.S. Cl.** **D23/208**

(58) **Field of Classification Search** D23/213,
D23/249, 257, 259, 260, 261, 262, 263, 264,
D23/265, 266, 267, 268; D15/7; D8/396;
285/1, 53, 112, 340, 367, 373, 404, 915;
261/DIG. 22; 403/291, 300

See application file for complete search history.

DESCRIPTION

FIG. 1 is a front right isometric view of a basket strainer holder showing my new design;

FIG. 2 is a front plan view thereof;

FIG. 3 is a bottom plan view thereof;

FIG. 4 is a top plan view thereof;

FIG. 5 is a right side plan view thereof;

FIG. 6 is a left side plan view thereof; and,

FIG. 7 is a back plan view.

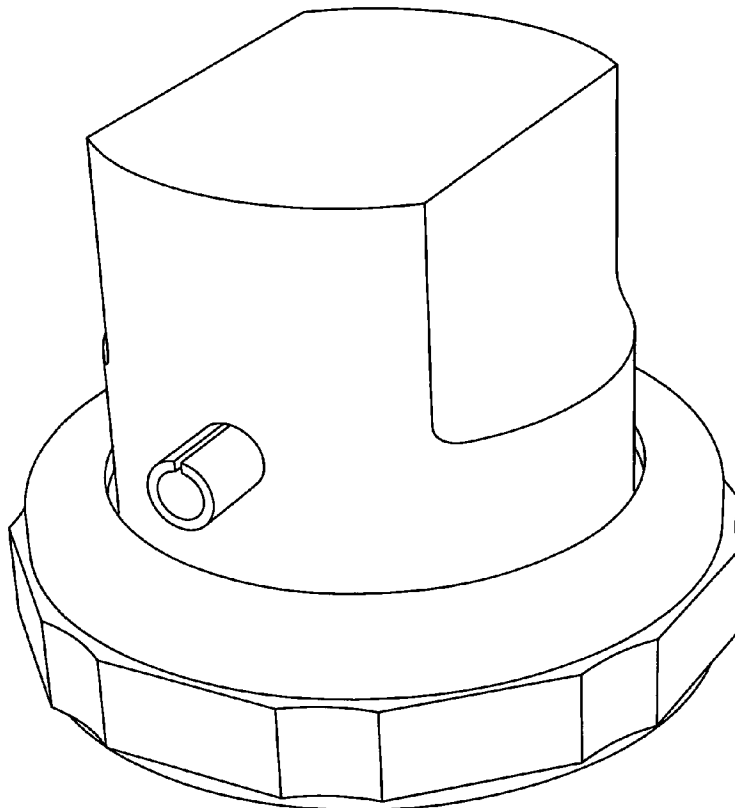
The broken line showing of the bottom portion of the basket strainer holder is included for the purpose of illustrating environment and forms no part of the claimed design.

(56) **References Cited**

U.S. PATENT DOCUMENTS

5,480,055	A *	1/1996	Harris et al.	220/203.26
5,791,507	A *	8/1998	Harris et al.	220/203.26
6,079,584	A *	6/2000	Griffin	220/296
6,095,363	A *	8/2000	Harris et al.	220/203.26
6,997,339	B2 *	2/2006	Ueki	220/293
2005/0011896	A1 *	1/2005	Yoshida et al.	220/304

1 Claim, 7 Drawing Sheets



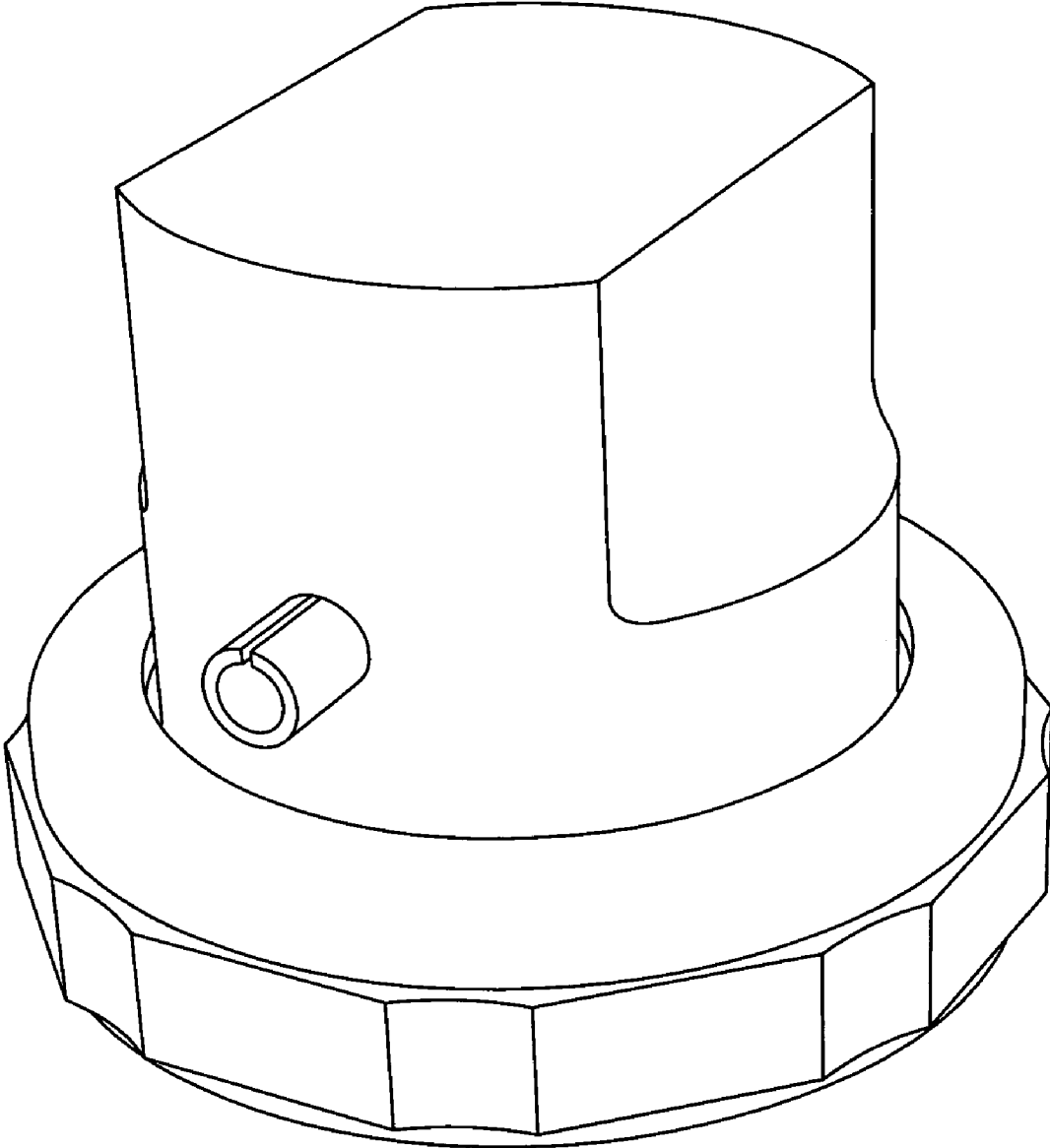


Fig. 1

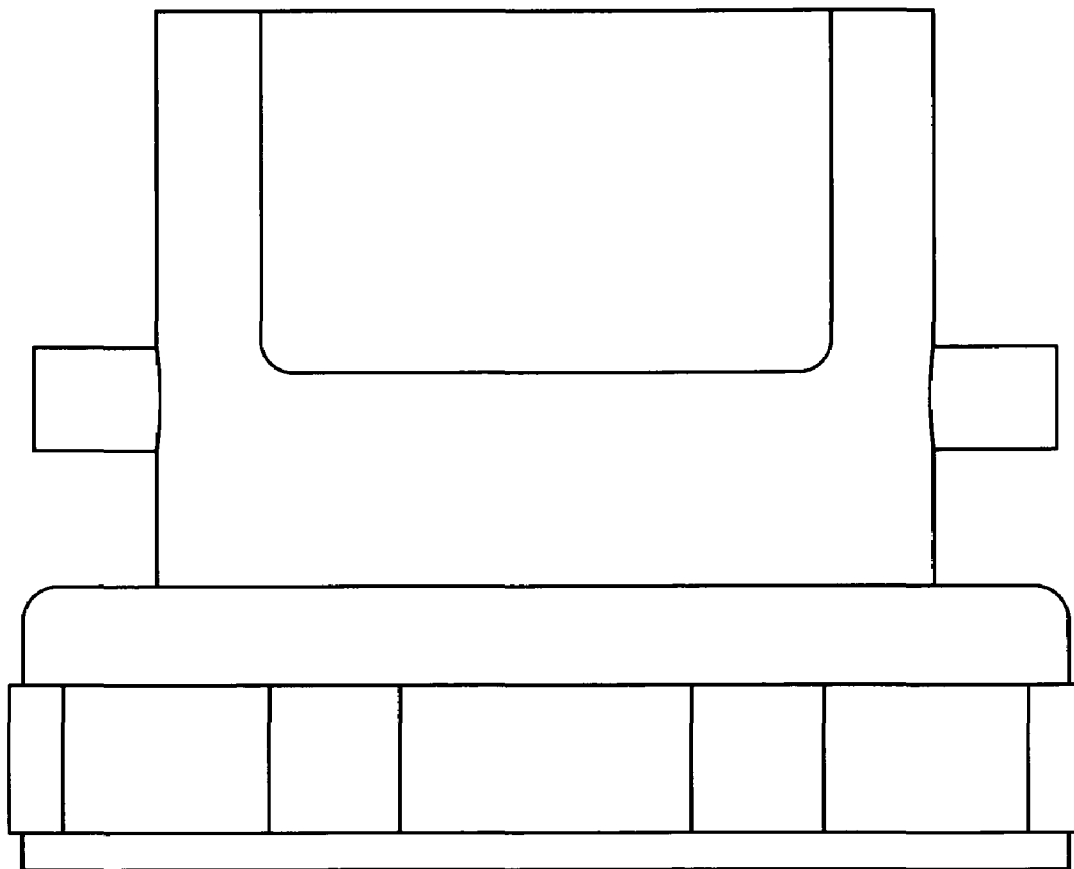


Fig. 2

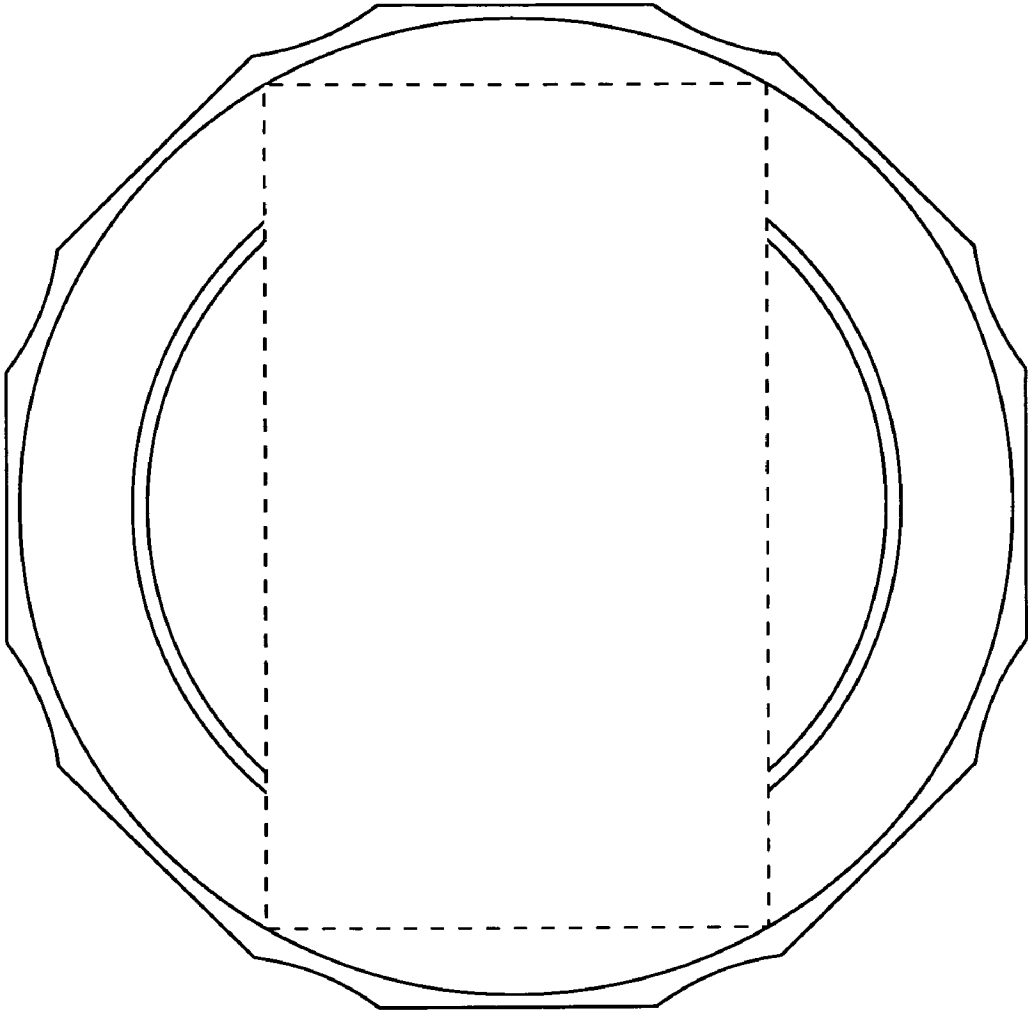


Fig. 3

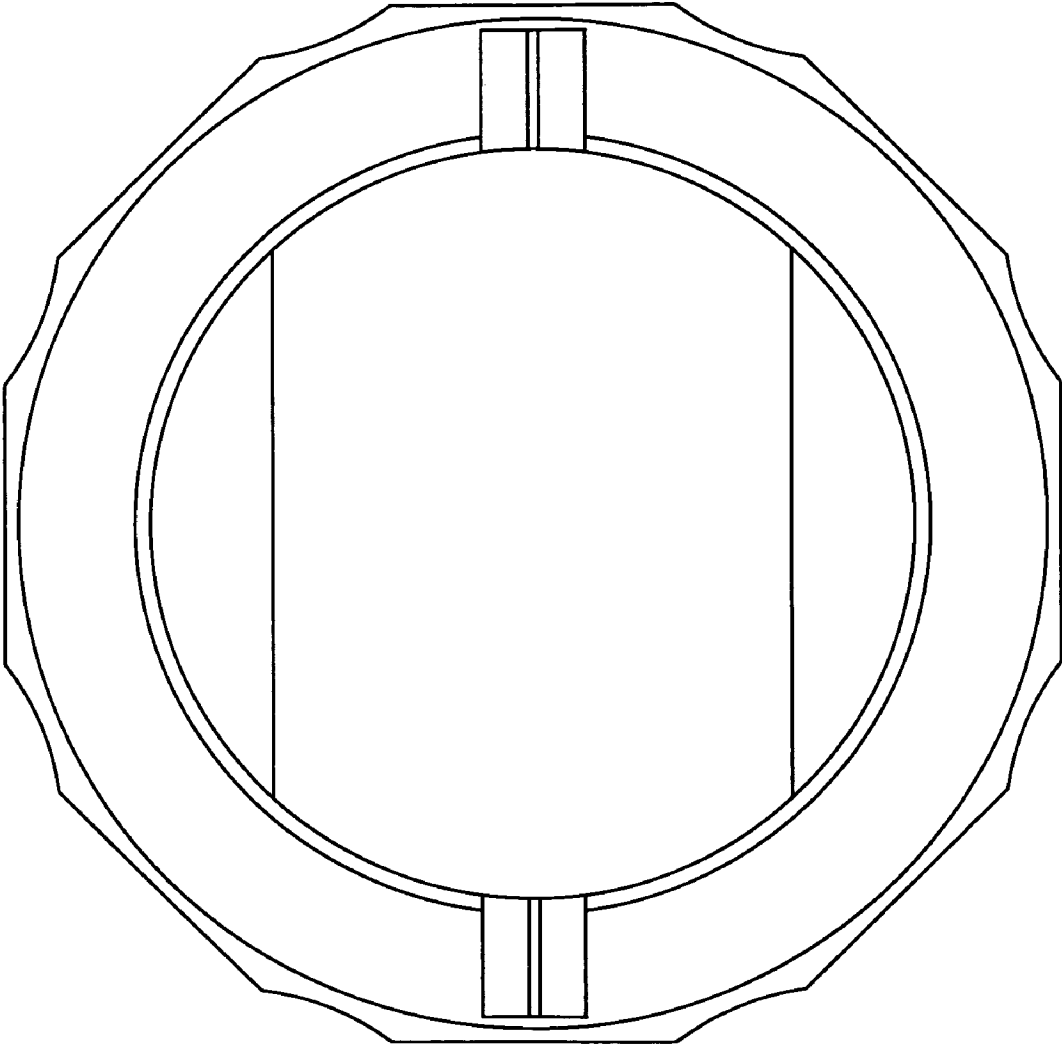


Fig. 4

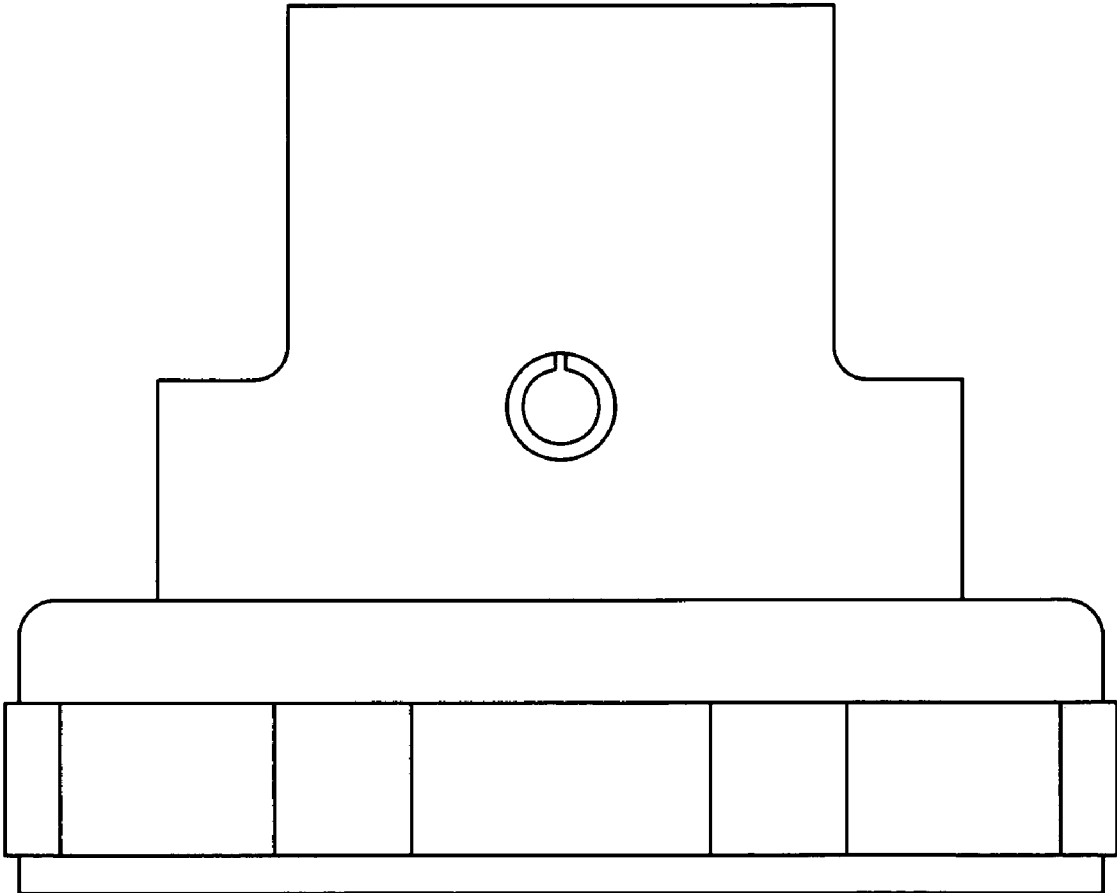


Fig. 5

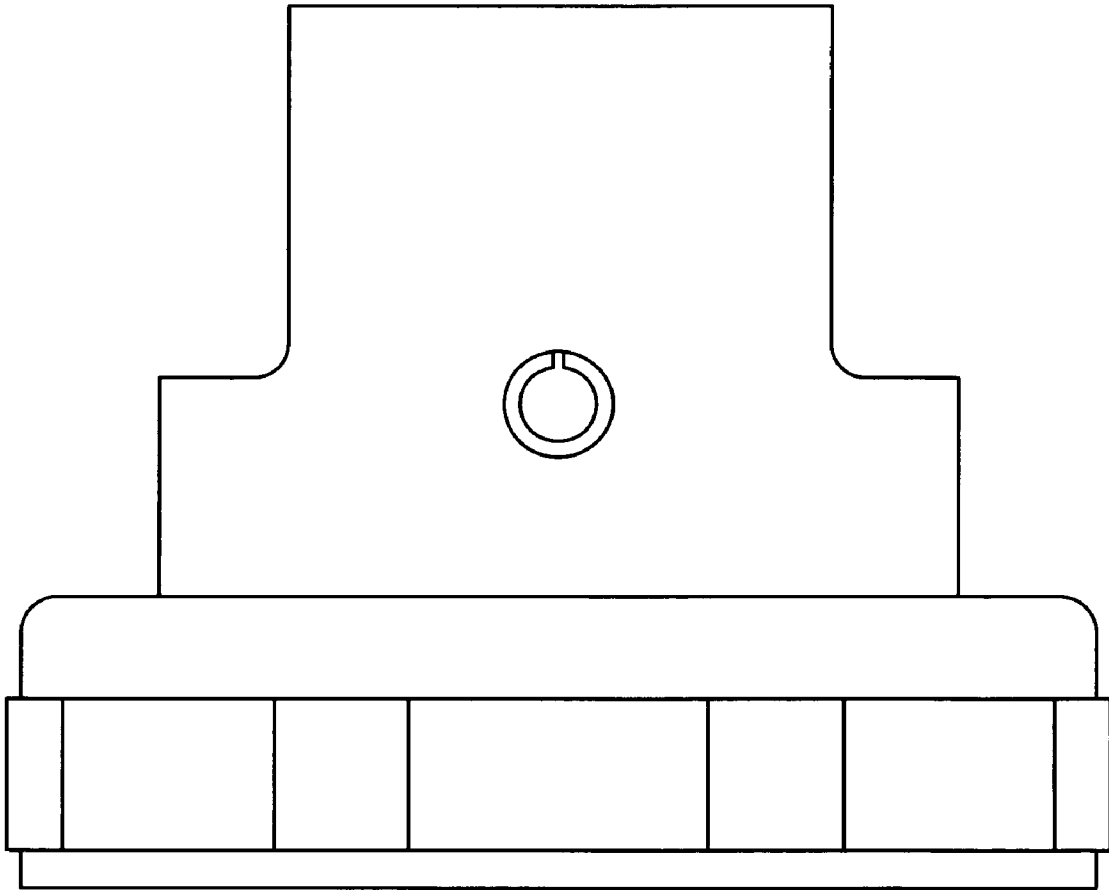


Fig. 6

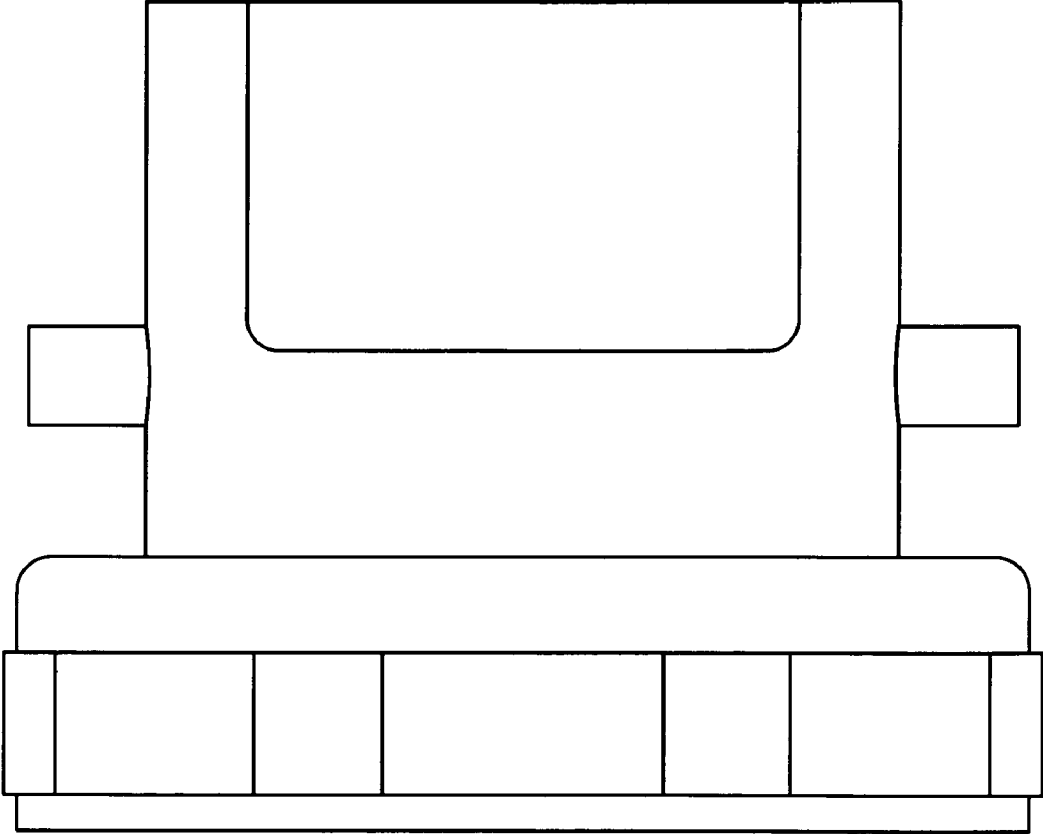


Fig. 7