



US00D570127S

(12) **United States Design Patent**  
**Spink**

(10) **Patent No.:** **US D570,127 S**

(45) **Date of Patent:** **\*\* Jun. 3, 2008**

(54) **PLASTIC CHAIR**

(76) Inventor: **Richard Robert Spink**, 2088 Munden Point Rd., Virginia Beach, VA (US) 23457

(\*\*) Term: **14 Years**

(21) Appl. No.: **29/243,399**

(22) Filed: **Nov. 25, 2005**

(51) **LOC (8) Cl.** ..... **06-01**

(52) **U.S. Cl.** ..... **D6/370**

(58) **Field of Classification Search** ..... D6/334-336, D6/367, 368, 370, 374-376, 379, 380, 500-502; 297/31, 377, 411.43, 423.21, 445.1, 452.63  
See application file for complete search history.

(56) **References Cited**

**U.S. PATENT DOCUMENTS**

D68,027 S *	8/1925	Wirdack	.....	D6/370
D109,239 S *	4/1938	Wolpin	.....	D6/370
D114,478 S *	4/1939	Terker	.....	D6/370
D148,391 S *	1/1948	Plourde et al.	.....	D6/370
4,707,023 A *	11/1987	Hickey	.....	297/31
D295,927 S *	5/1988	Hickey	.....	D6/370

D319,354 S *	8/1991	Wolcott	.....	D6/370
5,120,071 A *	6/1992	Thibault et al.	.....	297/423.21
D503,550 S *	4/2005	Miesieski et al.	.....	D6/336
D511,902 S *	11/2005	Mills	.....	D6/370
D512,577 S *	12/2005	Mills	.....	D6/370

\* cited by examiner

*Primary Examiner*—Mimosa De

(74) *Attorney, Agent, or Firm*—William G. Sykes

(57) **CLAIM**

The ornamental design for a plastic chair, as shown.

**DESCRIPTION**

FIG. 1 is a front right isometric view of a plastic chair showing my new design;

FIG. 2 is a front view thereof;

FIG. 3 is a top plan view thereof;

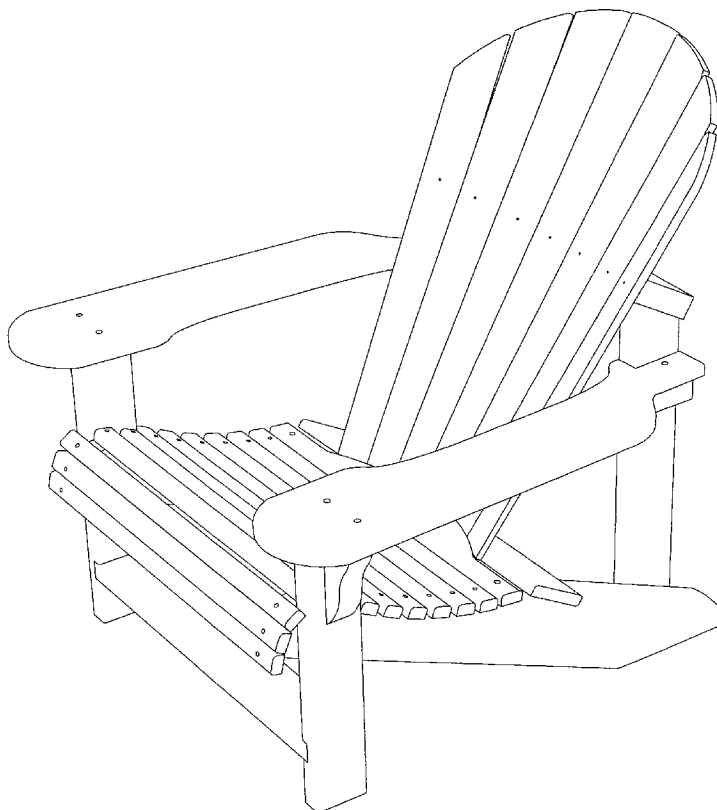
FIG. 4 is a bottom plan view thereof;

FIG. 5 is a right side view thereof;

FIG. 6 is a left side view thereof; and,

FIG. 7 is a back view.

**1 Claim, 7 Drawing Sheets**



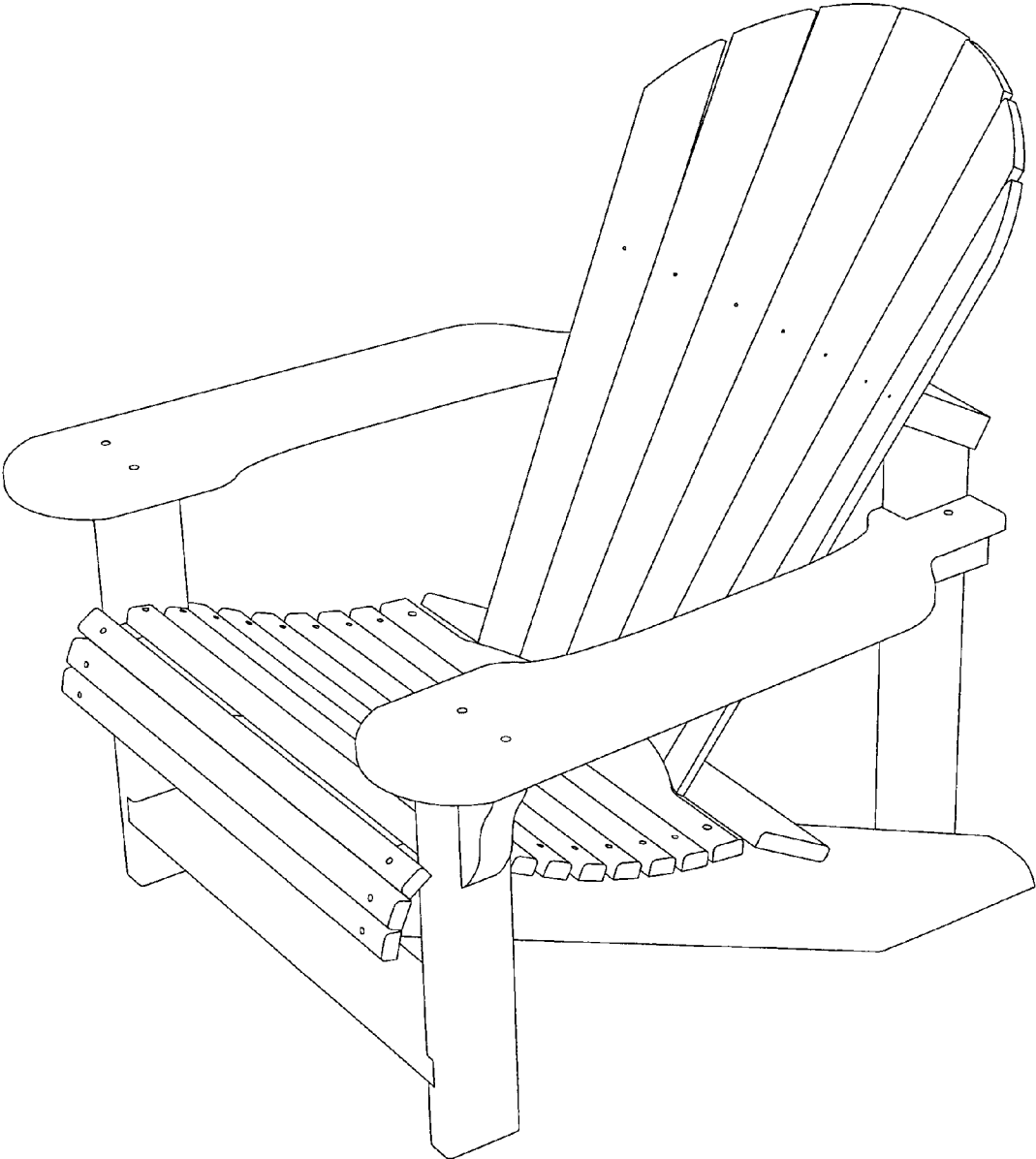


Fig. 1

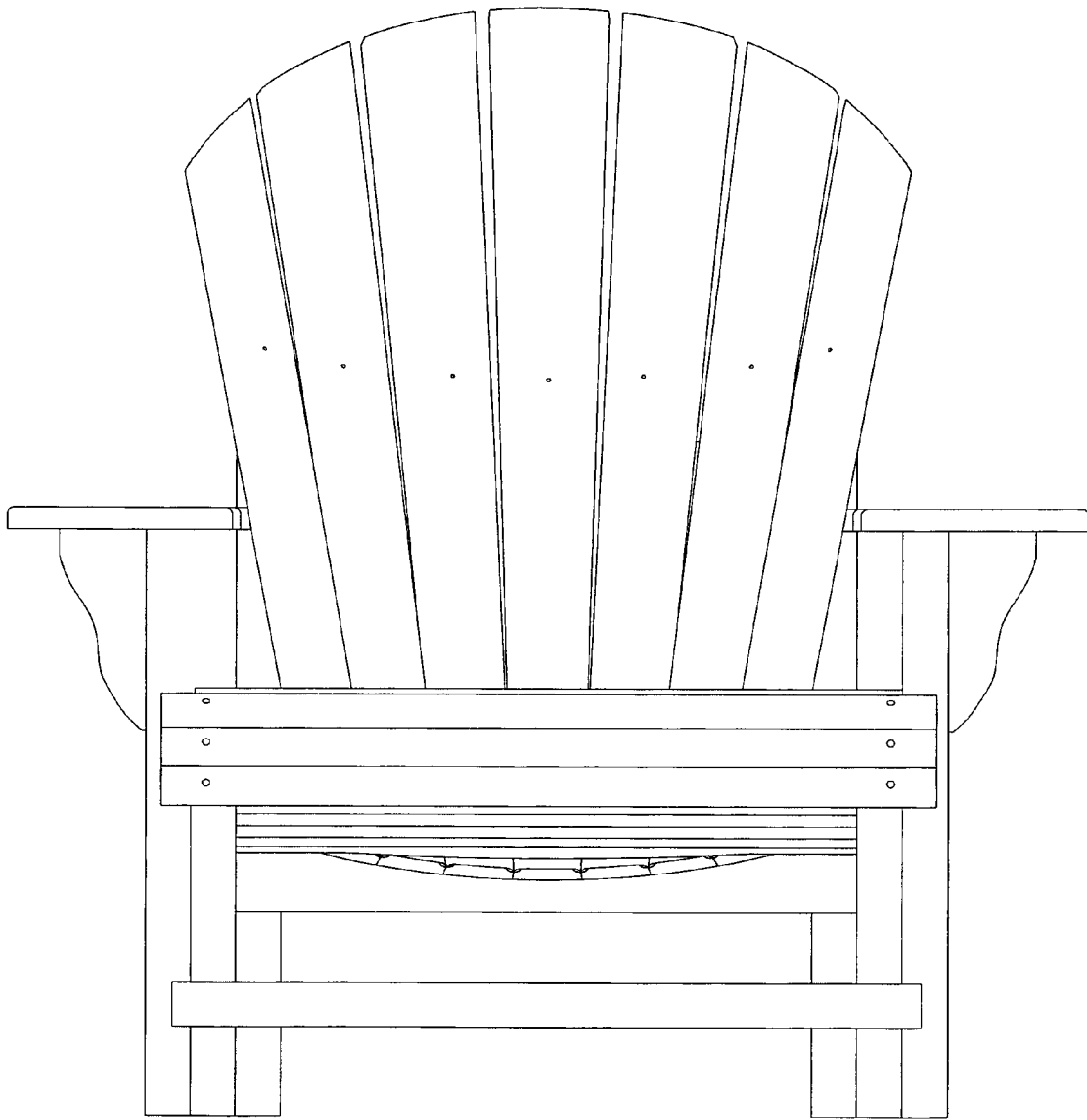


Fig. 2

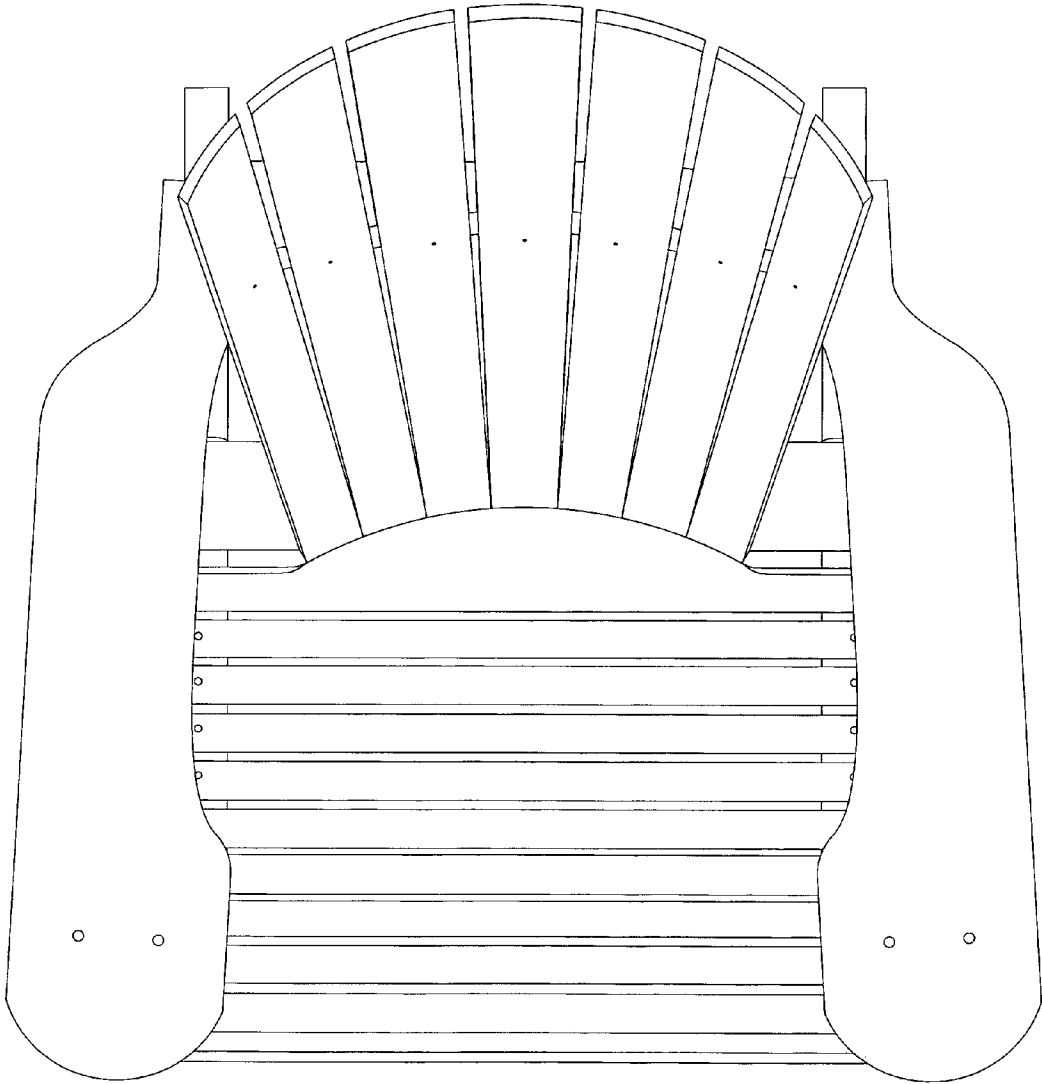


Fig. 3

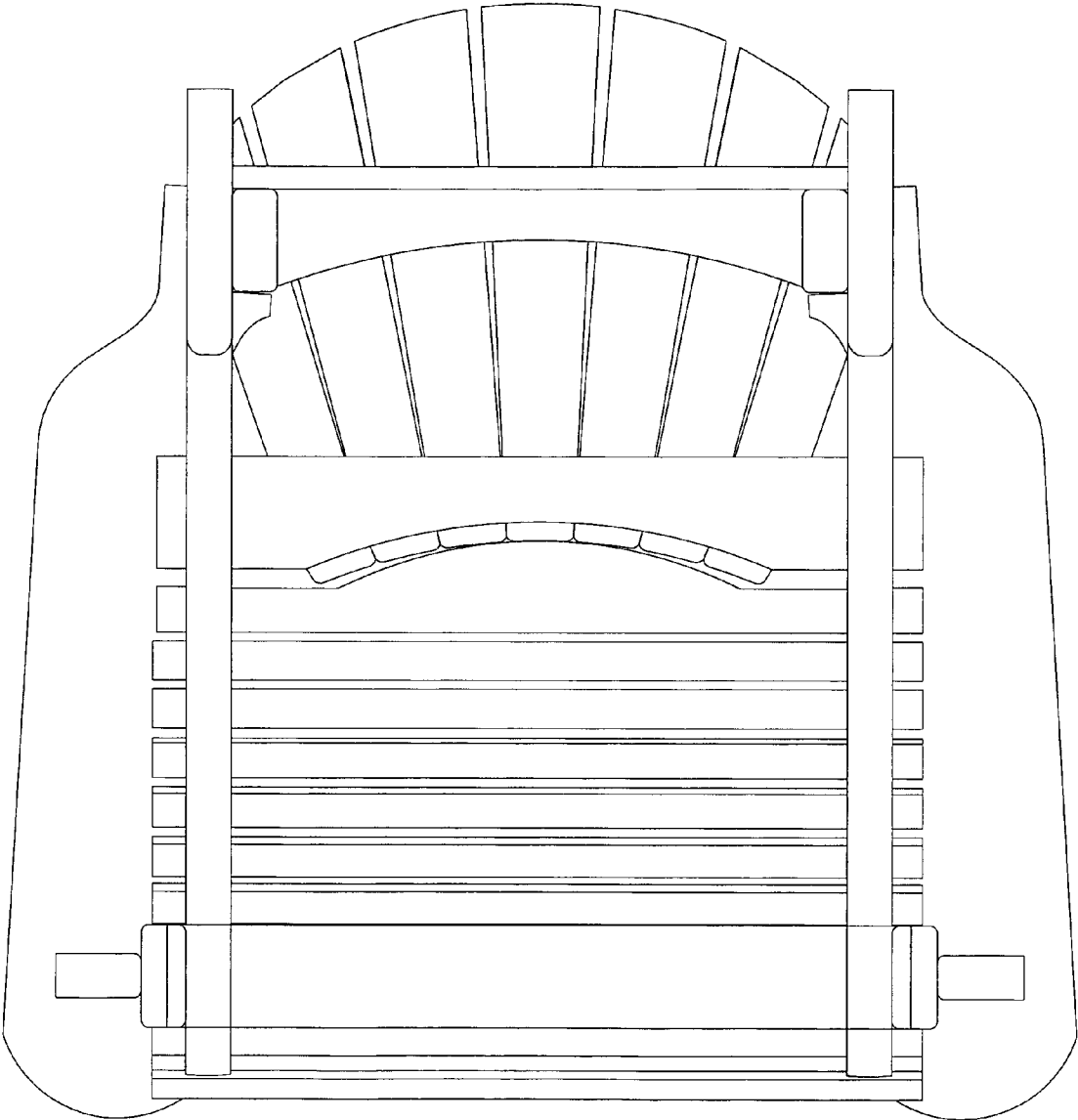


Fig. 4

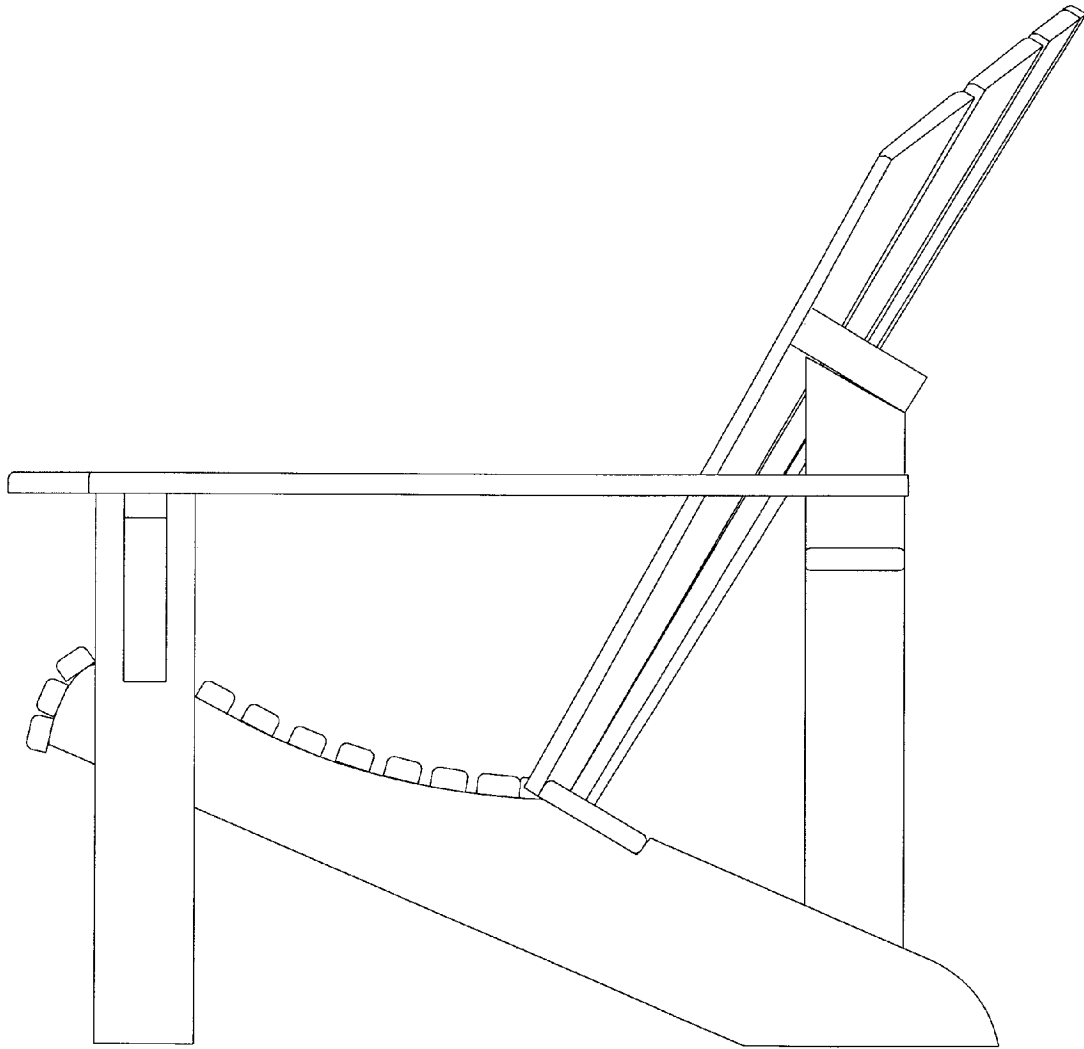


Fig. 5

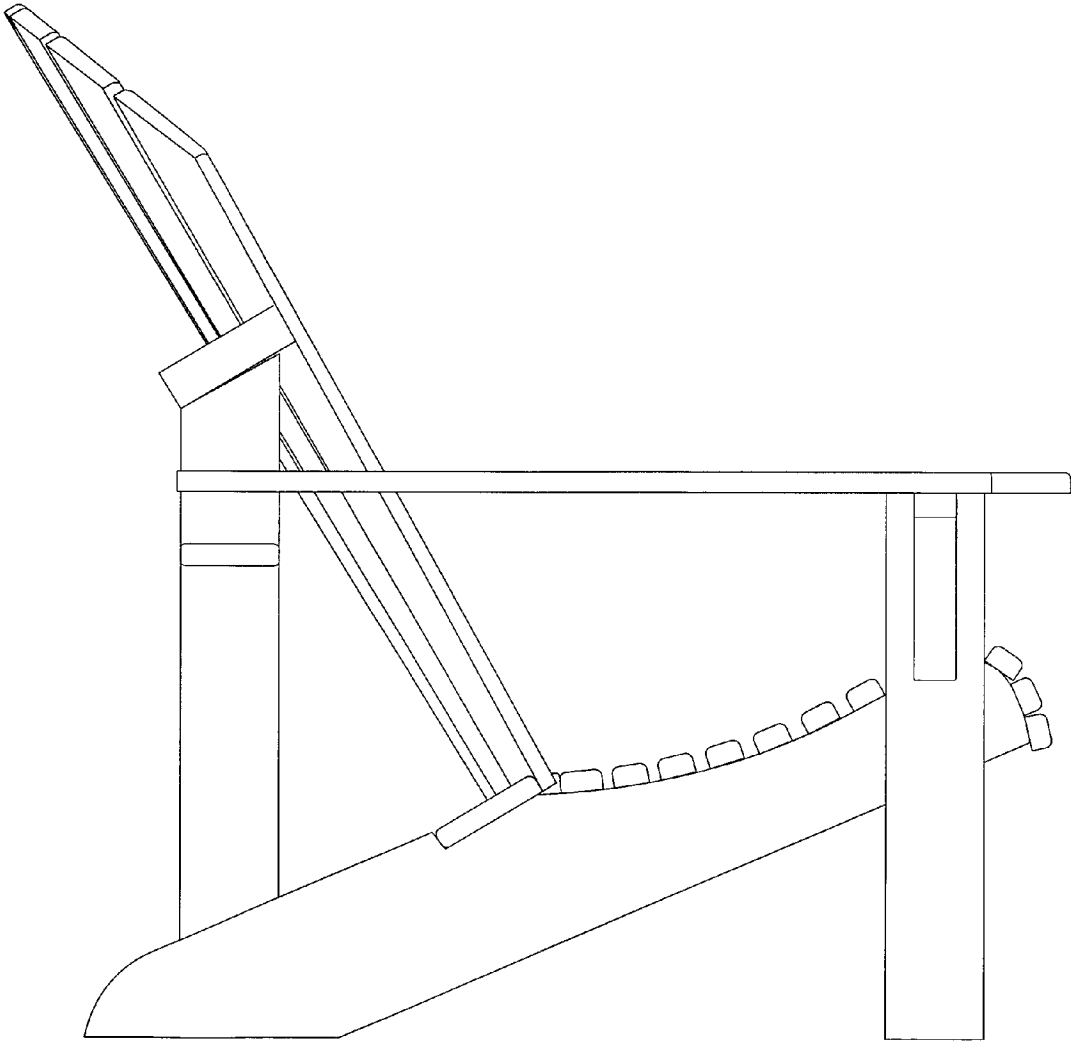


Fig. 6

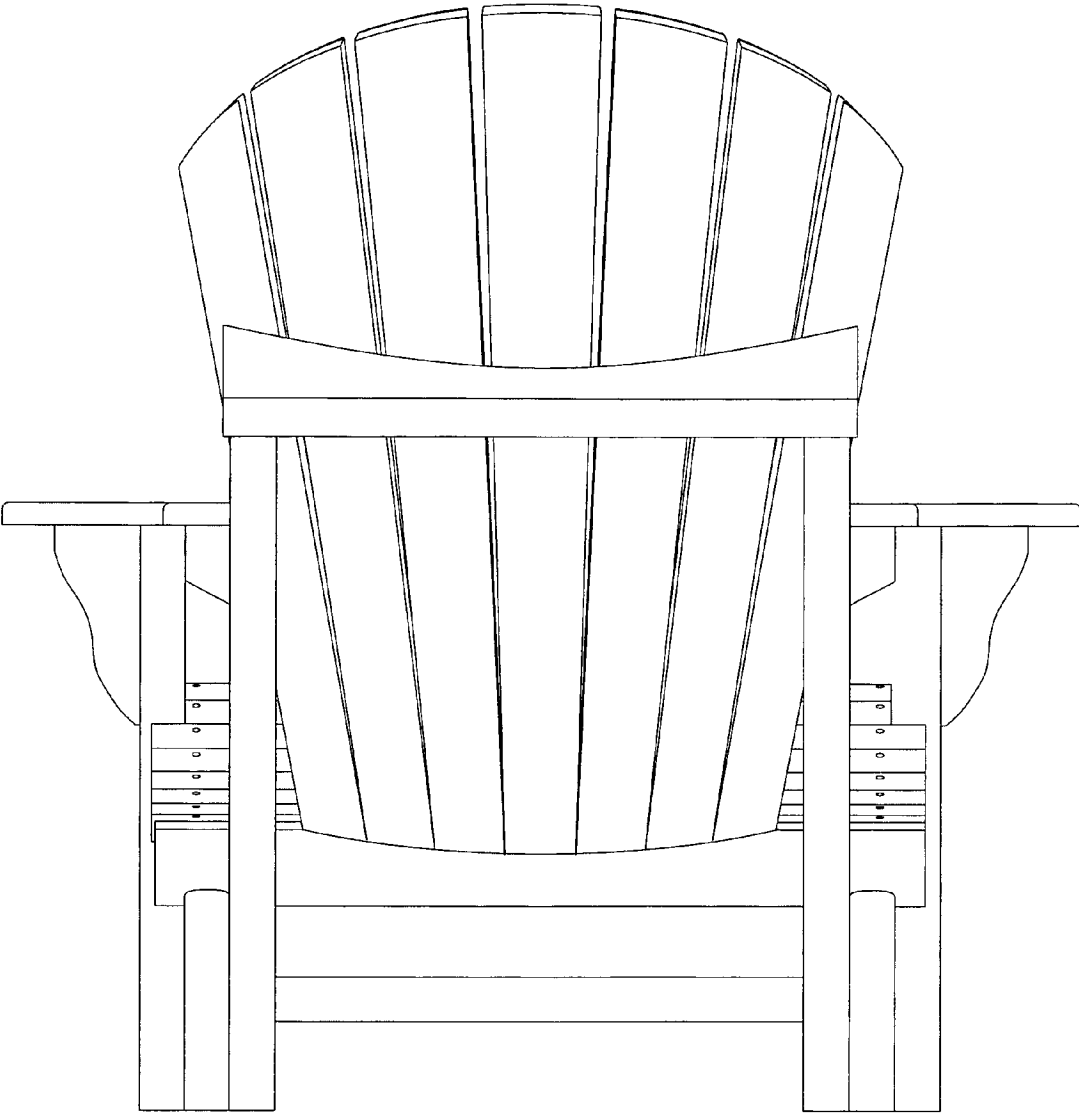


Fig. 7