



US00D572617S

(12) **United States Design Patent**  
**Waldecker**

(10) **Patent No.:** **US D572,617 S**

(45) **Date of Patent:** **\*\* Jul. 8, 2008**

(54) **WATER LEVEL SENSING ASSEMBLY**

*Primary Examiner*—Antoine D Davis

(74) *Attorney, Agent, or Firm*—William G. Sykes

(76) Inventor: **Donald E. Waldecker**, 521 Central Dr.,  
Suite 201, Virginia Beach, VA (US)  
23454

(57) **CLAIM**

(\*\*) Term: **14 Years**

The ornamental design for a water level sensing assembly, as shown and described.

(21) Appl. No.: **29/285,384**

(22) Filed: **Mar. 29, 2007**

**DESCRIPTION**

(51) **LOC (8) Cl.** ..... **10-04**

(52) **U.S. Cl.** ..... **D10/101**

(58) **Field of Classification Search** ..... D10/101;  
73/305, 313, 317, 318, 322.5, 290 R, 319,  
73/DIG. 5; 116/204, 284, 227, 56-62.4,  
116/266, 271, DIG. 20, DIG. 71; 324/200,  
324/207.22

See application file for complete search history.

FIG. 1 is a front right isometric view of a water level sensing assembly showing my new design;

FIG. 2 is a front plan view thereof;

FIG. 3 is a top plan view thereof;

FIG. 4 is a bottom plan view thereof;

FIG. 5 is a right side plan view thereof;

FIG. 6 is a left side plan view thereof; and,

FIG. 7 is a back plan view.

The cord member being shown broken away for ease of illustration.

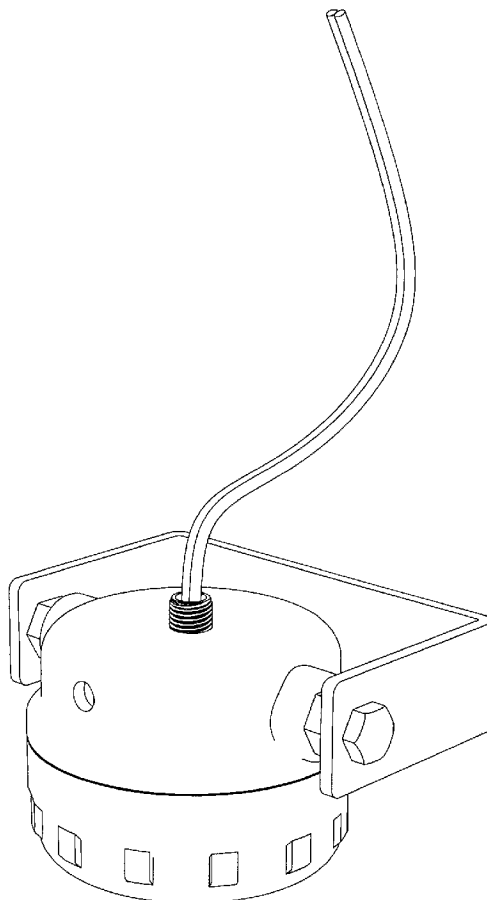
(56) **References Cited**

**U.S. PATENT DOCUMENTS**

3,381,534	A *	5/1968	Ball	.....	73/322.5
3,432,790	A *	3/1969	Svilpe et al.	.....	73/313
D484,819	S *	1/2004	Marshik et al.	.....	D10/101

\* cited by examiner

**1 Claim, 7 Drawing Sheets**



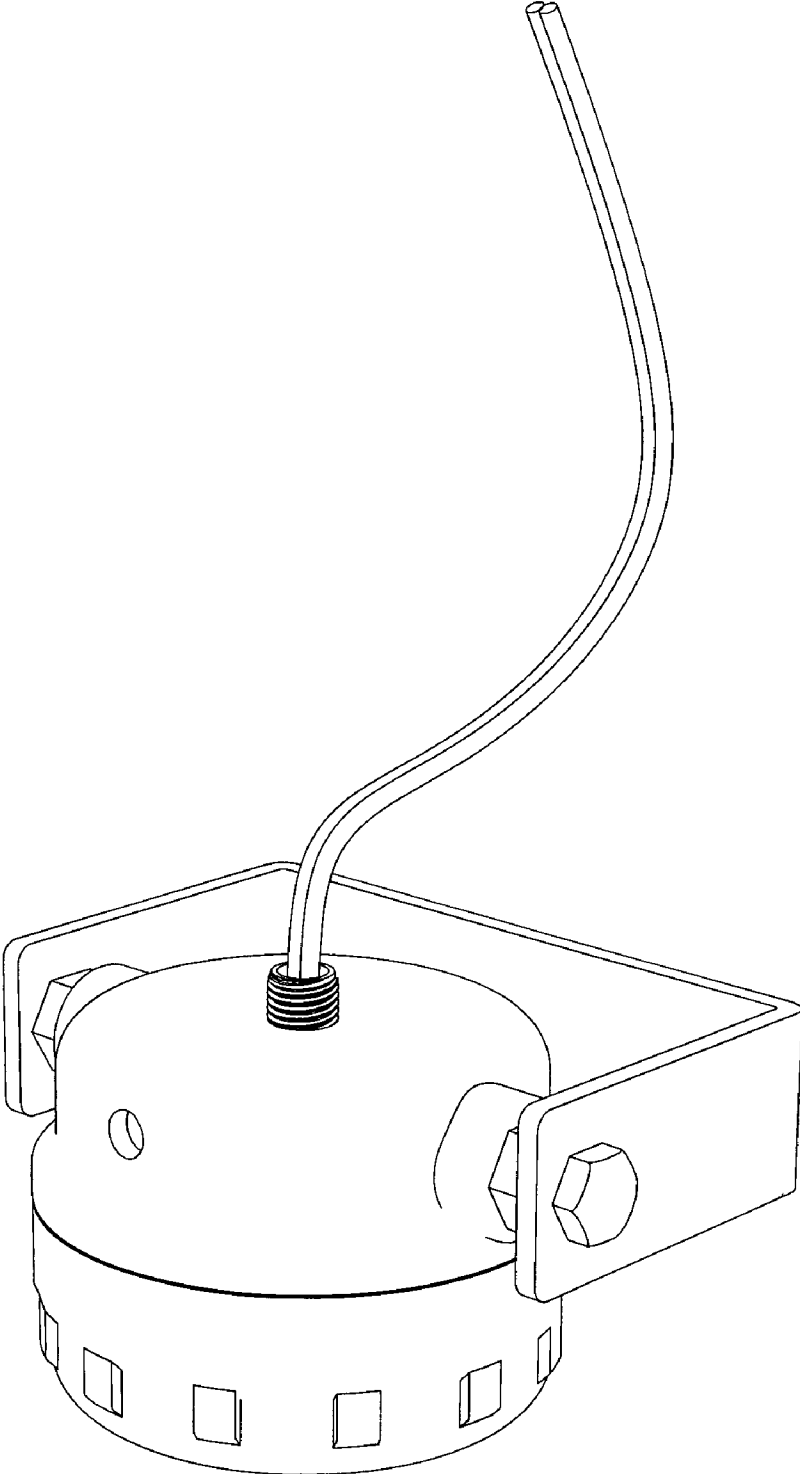


Fig. 1

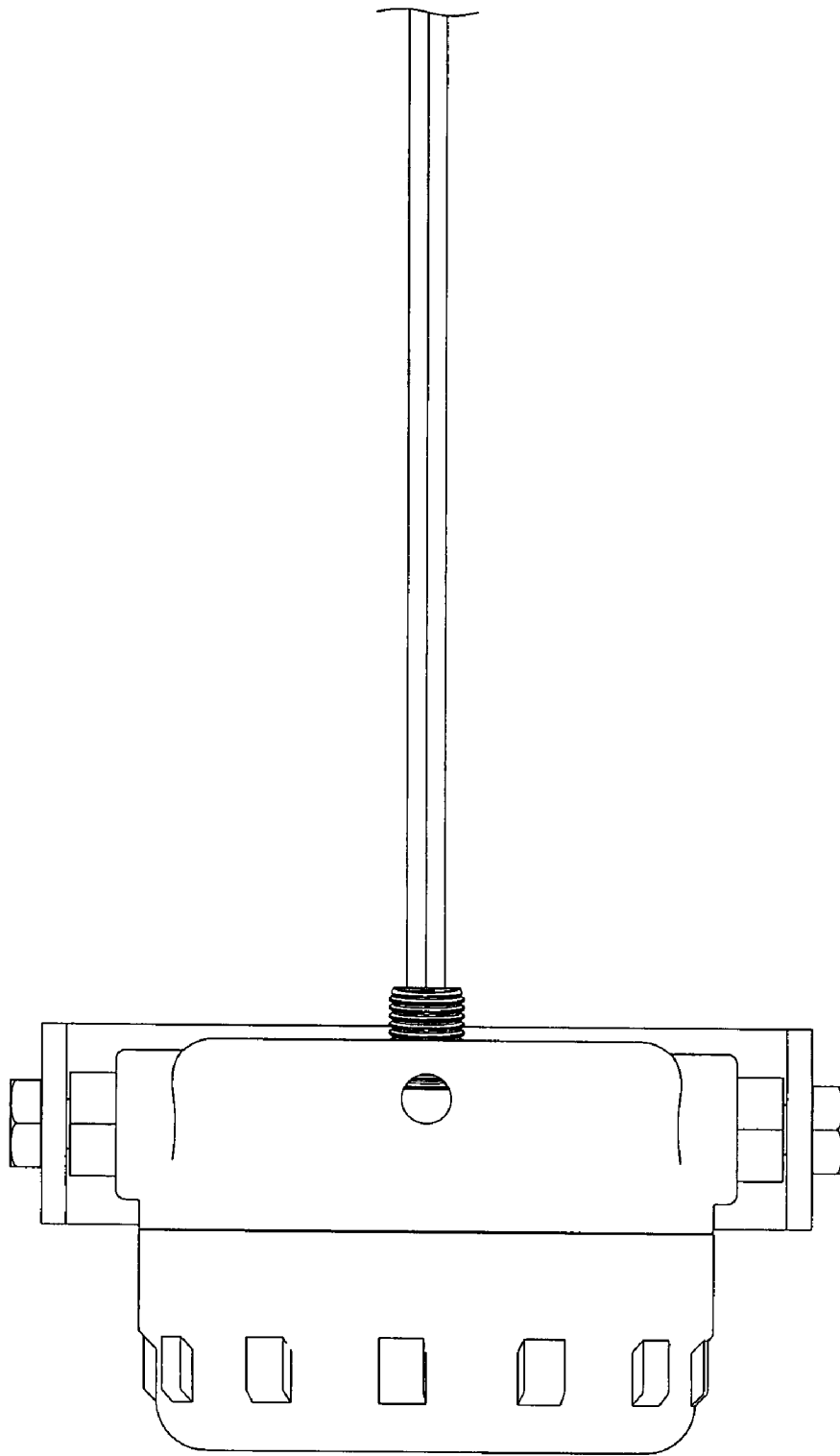


Fig. 2

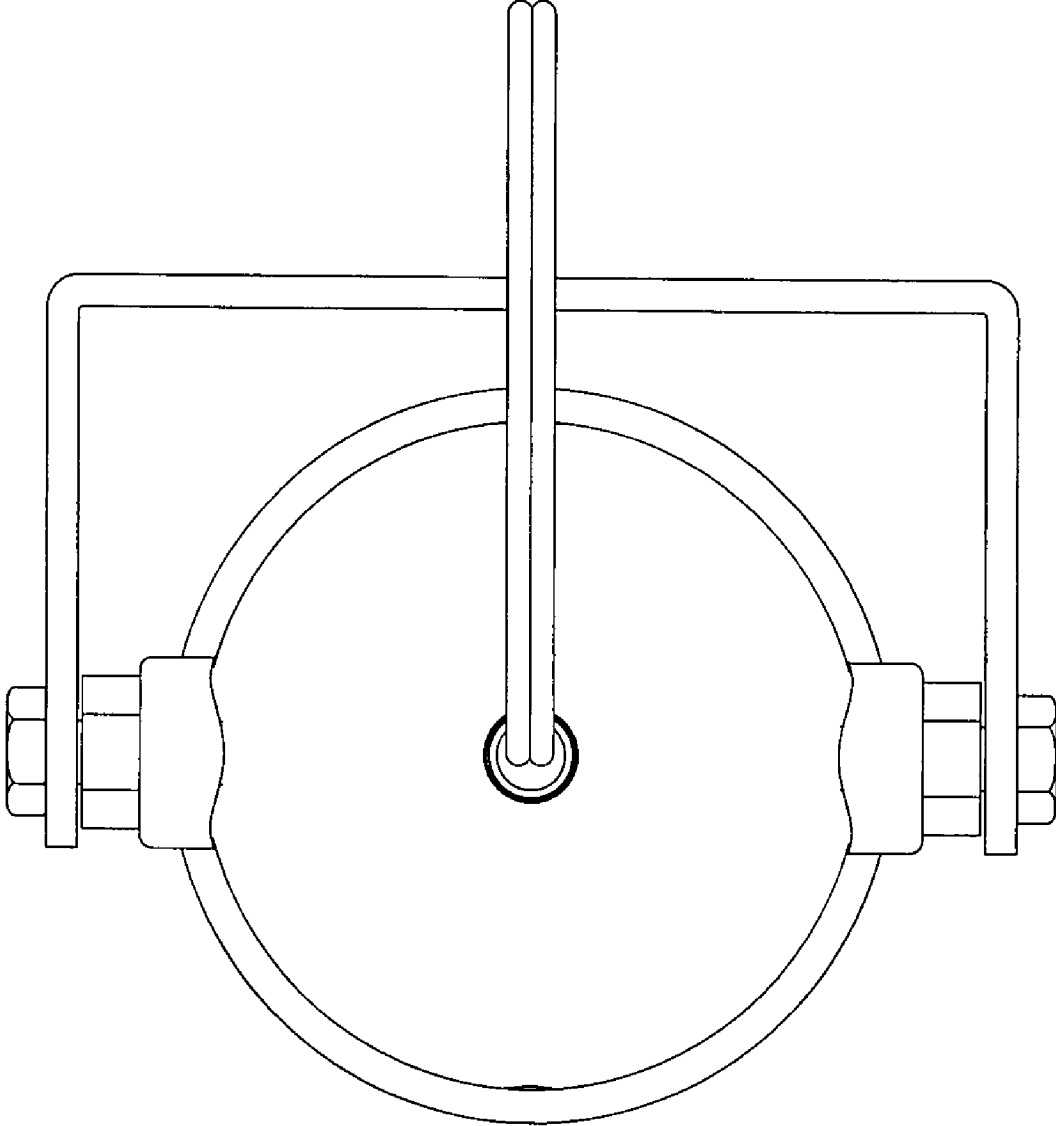


Fig. 3

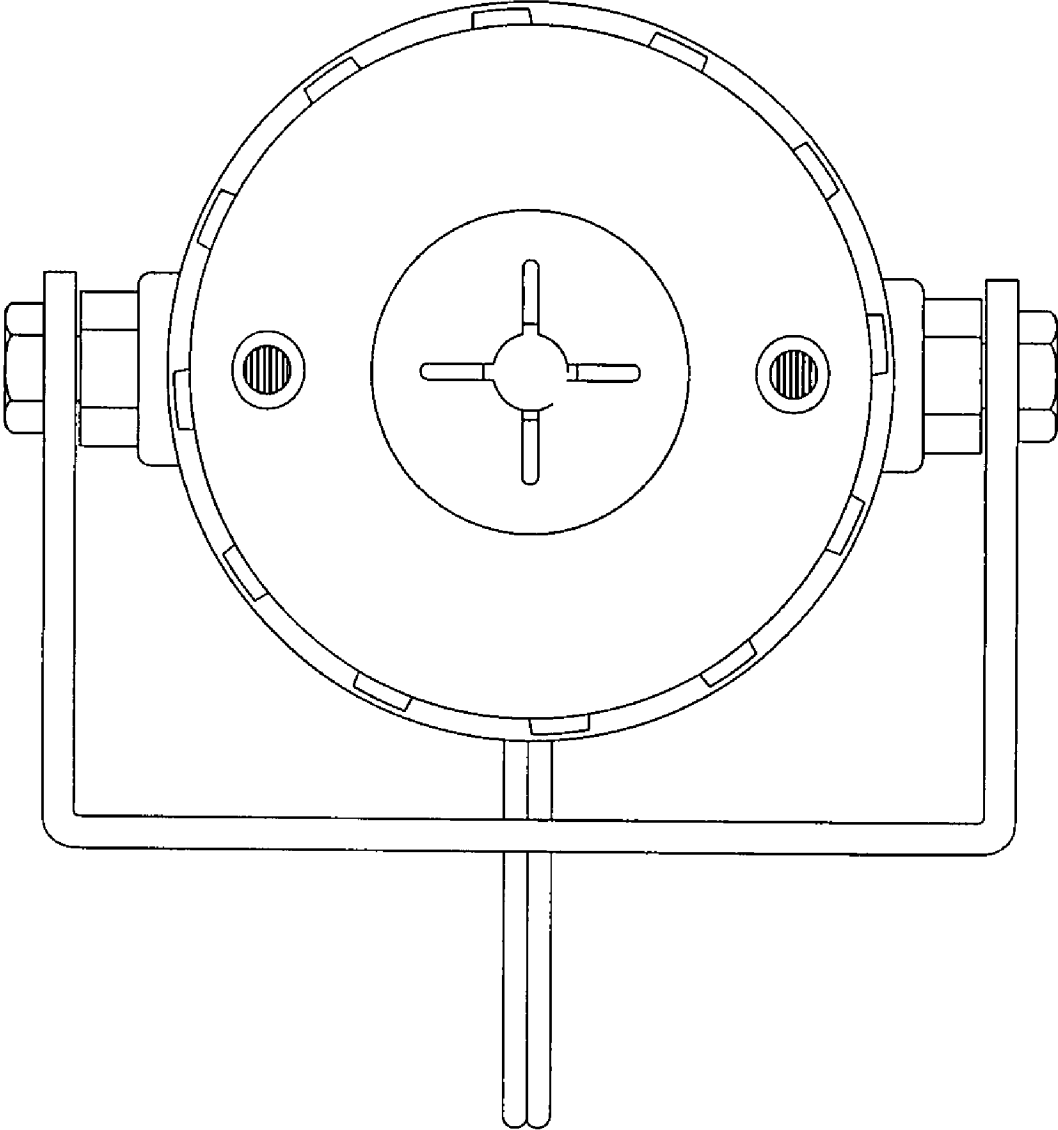


Fig. 4

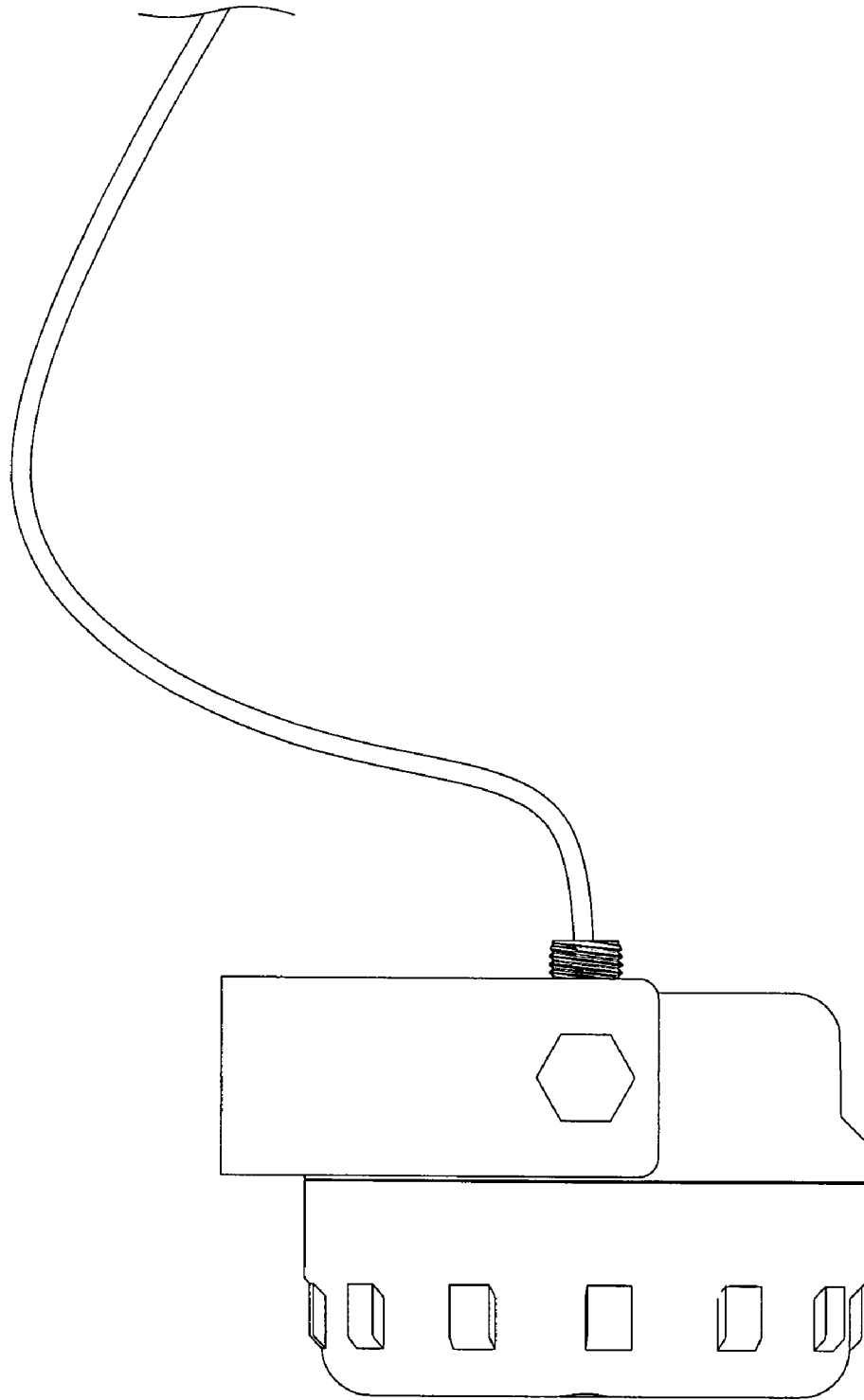


Fig. 5

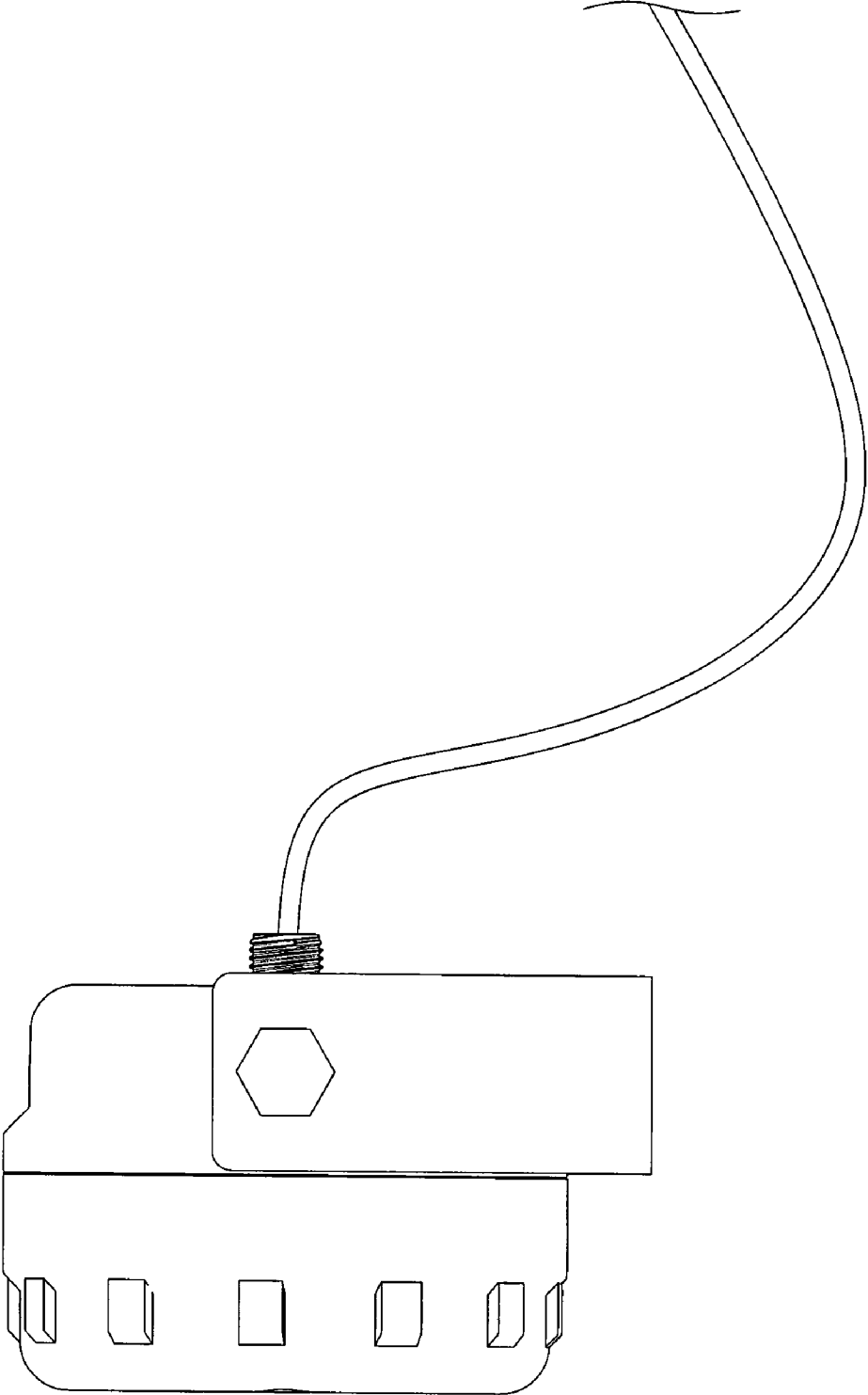


Fig. 6

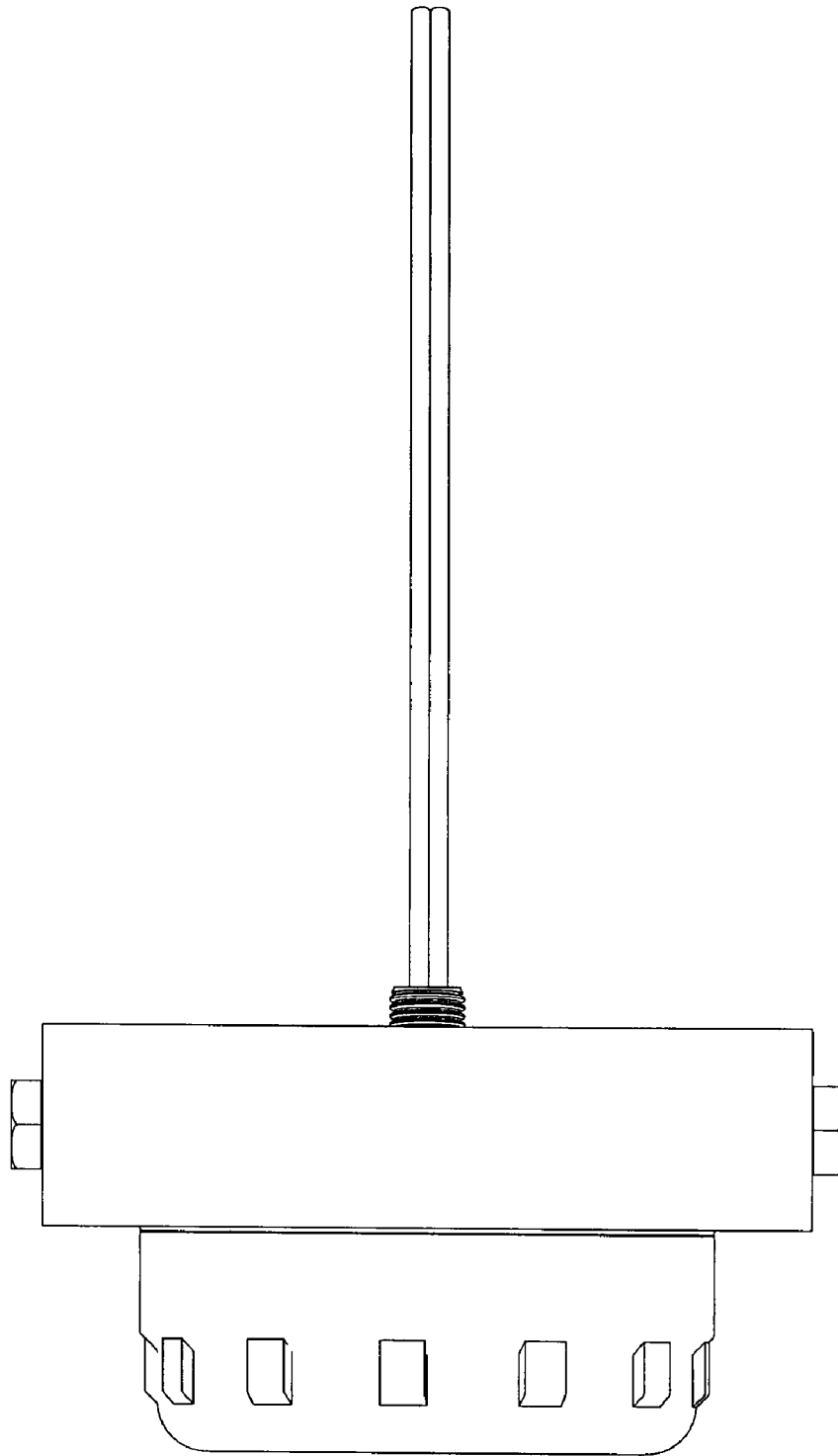


Fig. 7