



US00D556315S

(12) **United States Design Patent**
Jackson et al.

(10) **Patent No.:** **US D556,315 S**

(45) **Date of Patent:** **** Nov. 27, 2007**

- (54) **CRAWLSPACE PERISCOPE AIR VENT**
 - (76) Inventors: **James S Jackson**, 318 Deal Dr.,
Portsmouth, VA (US) 23701; **William G. Sykes**, 3669 Seagull Bluff Dr.,
Virginia Beach, VA (US) 23455
 - (**) Term: **14 Years**
 - (21) Appl. No.: **29/258,185**
 - (22) Filed: **Apr. 19, 2006**
 - (51) **LOC (8) Cl.** **23-04**
 - (52) **U.S. Cl.** **D23/393**
 - (58) **Field of Classification Search** 285/179,
285/901, 924, 41, 42; 138/91, 95, 109, 96 R,
138/155; 52/302.7; 34/235; D24/127; 128/205.56;
D8/354; 405/40; D23/393, 386, 269, 352,
D23/206, 259-266, 268, 387, 370; 454/276,
454/271, 243, 270, 233, 909, 367, 354, 541.6,
454/679, 680, 681, 670, 209 R, 211, 218,
454/209 FF; 126/82, 312
- See application file for complete search history.

5,167,578	A *	12/1992	Legault	454/354
D342,134	S *	12/1993	Mongeon	D24/127
5,401,914	A *	3/1995	Curran et al.	454/367
5,496,213	A *	3/1996	Miller	454/271
5,728,294	A *	3/1998	Deming	52/302.7
D396,391	S *	7/1998	Rein et al.	D23/263
5,819,435	A *	10/1998	Tuggle	34/235
5,988,166	A *	11/1999	Hayek	128/205.26
6,086,116	A *	7/2000	Smahl	285/179
D439,136	S *	3/2001	Rogers	D8/354
D449,873	S *	10/2001	Bronson	D23/261
6,629,390	B2 *	10/2003	Wood et al.	454/909
6,745,491	B1 *	6/2004	Hernandez-Zelaya	34/235
D519,627	S *	4/2006	Cooper	D23/393
D520,133	S *	5/2006	Cooper	D23/393
7,040,979	B1 *	5/2006	Betz	454/271
2005/0281617	A1 *	12/2005	Kincheloe	405/40
2006/0079174	A1 *	4/2006	Dippel	454/367
2007/0007763	A1 *	1/2007	Deaton	285/179

OTHER PUBLICATIONS

http://found-hvac.en.alibaba.com/product/0/50402703/Automatic_Condensate_Vent_Set_2_pages.*

* cited by examiner

Primary Examiner—Louis Zarfaz
Assistant Examiner—David G. Muller
(74) *Attorney, Agent, or Firm*—William G. Sykes

(56) **References Cited**

U.S. PATENT DOCUMENTS

873,120	A *	12/1907	Dunstan	285/42
1,140,609	A *	5/1915	Razntch	454/271
1,310,537	A *	7/1919	Merkel	454/271
1,577,464	A *	3/1926	High	454/367
1,608,115	A *	11/1926	Niedecken	285/42
1,828,601	A *	10/1931	Frye	285/42
1,855,438	A *	4/1932	Boosey	285/179
D135,634	S *	5/1943	Stark	D23/263
2,341,113	A *	2/1944	Nelson	454/271
2,501,971	A *	3/1950	Schenck	285/42
2,664,809	A *	1/1954	Morell	454/271
2,709,402	A *	5/1955	Malm	454/271
2,764,929	A *	10/1956	Tegarty	454/271
2,882,961	A *	4/1959	Sola	454/271
2,885,940	A *	5/1959	Scallon	454/276
D276,839	S *	12/1984	McCoy	D23/261
4,676,145	A *	6/1987	Allred	454/276
4,739,524	A *	4/1988	Burd	285/42
4,821,628	A *	4/1989	Sarazen et al.	454/276
4,957,394	A *	9/1990	Jarnagin et al.	454/909
D321,557	S *	11/1991	Bezick et al.	D23/393

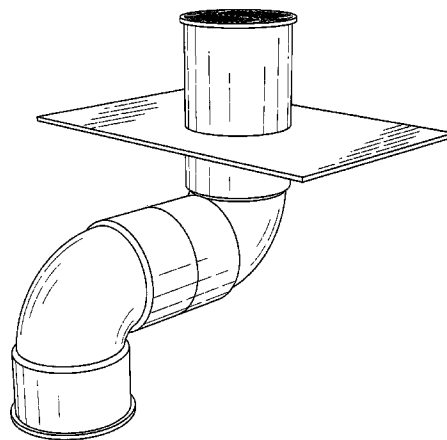
(57) **CLAIM**

The ornamental design for a crawlspace periscope air vent, as shown.

DESCRIPTION

FIG. 1 is a front right isometric view of a crawlspace periscope air vent showing my new design;
FIG. 2 is a front plan view thereof;
FIG. 3 is a top plan view thereof;
FIG. 4 is a bottom plan view thereof;
FIG. 5 is a right side plan view thereof;
FIG. 6 is a left side plan view thereof; and,
FIG. 7 is a back plan view.

1 Claim, 7 Drawing Sheets



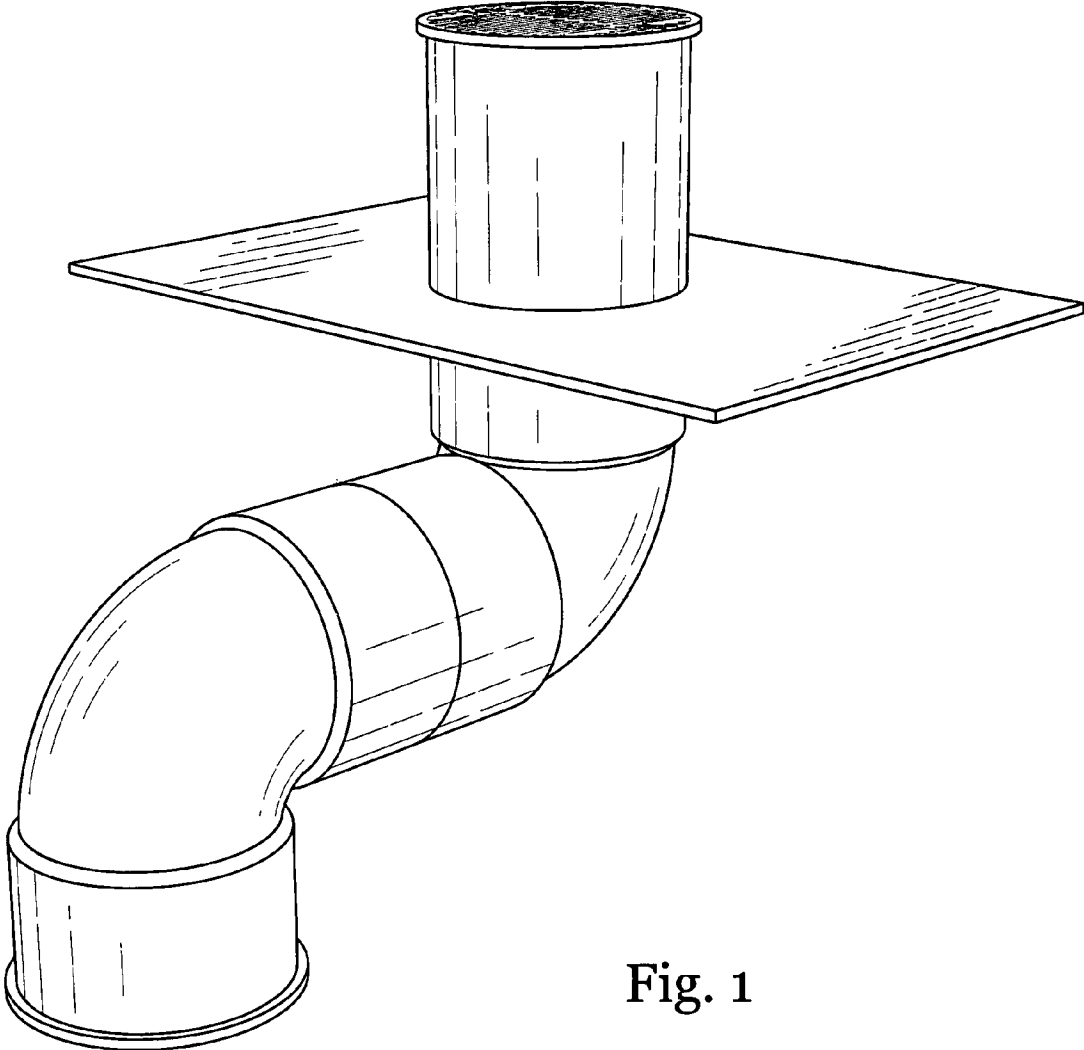


Fig. 1

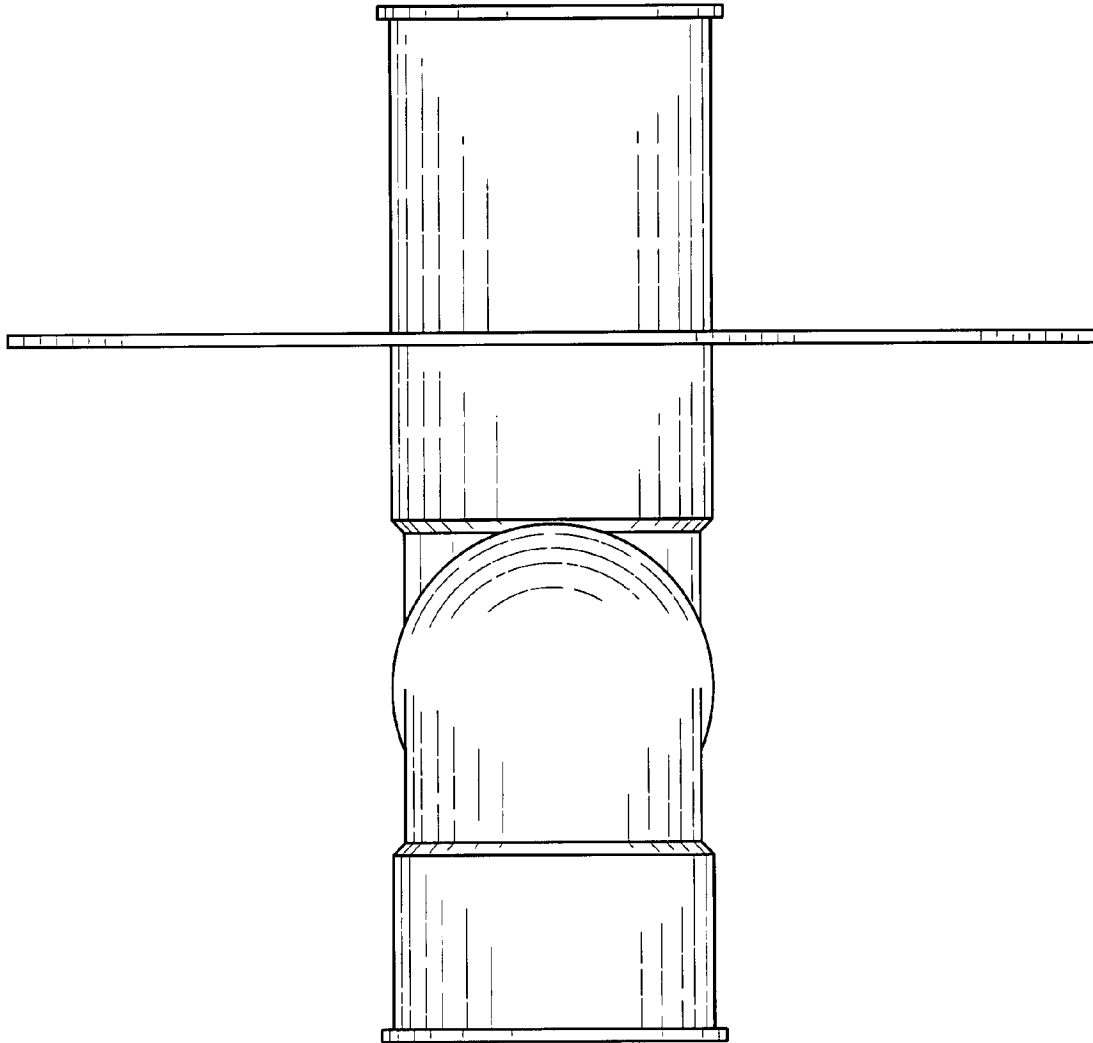


Fig. 2

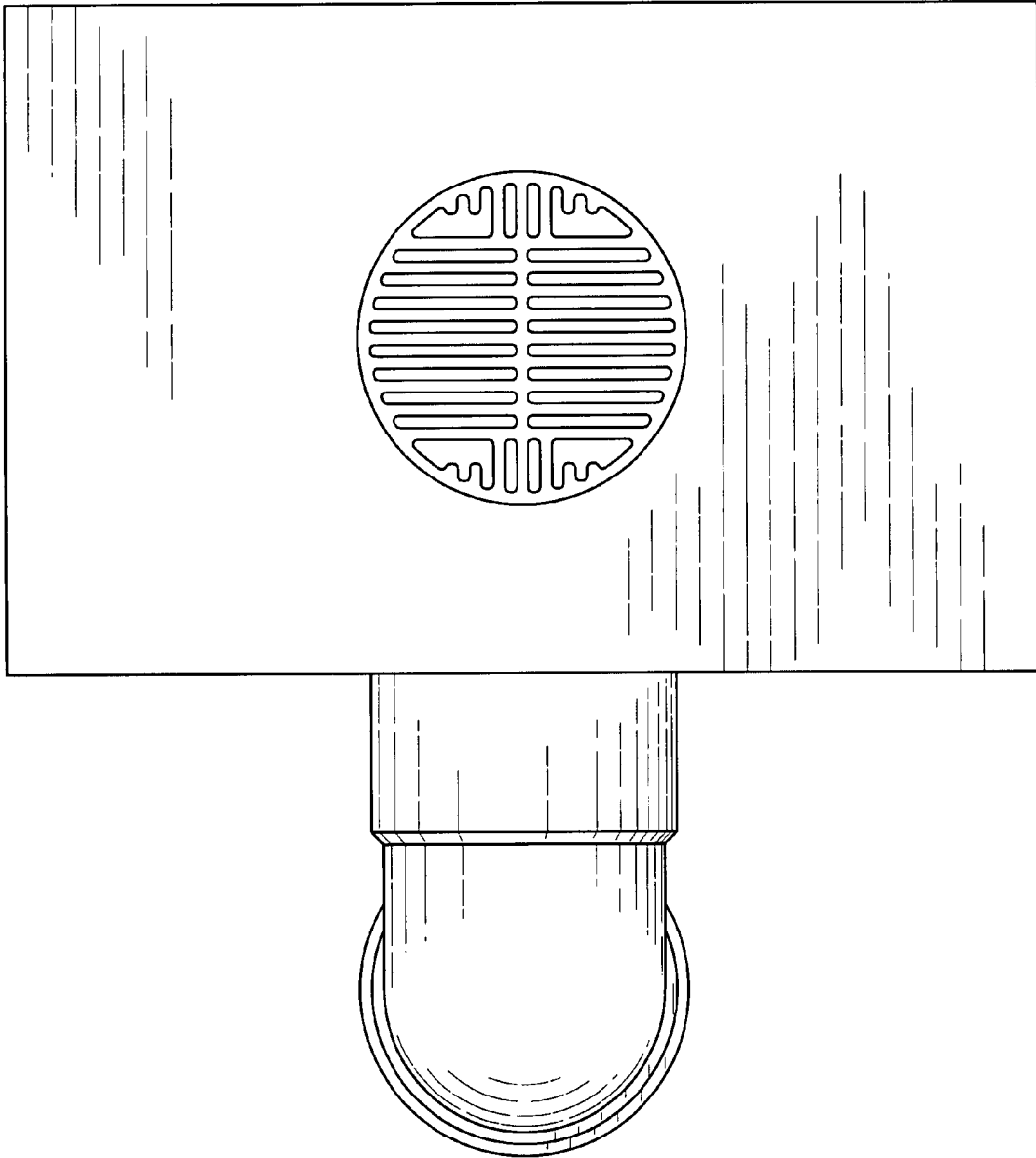


Fig. 3

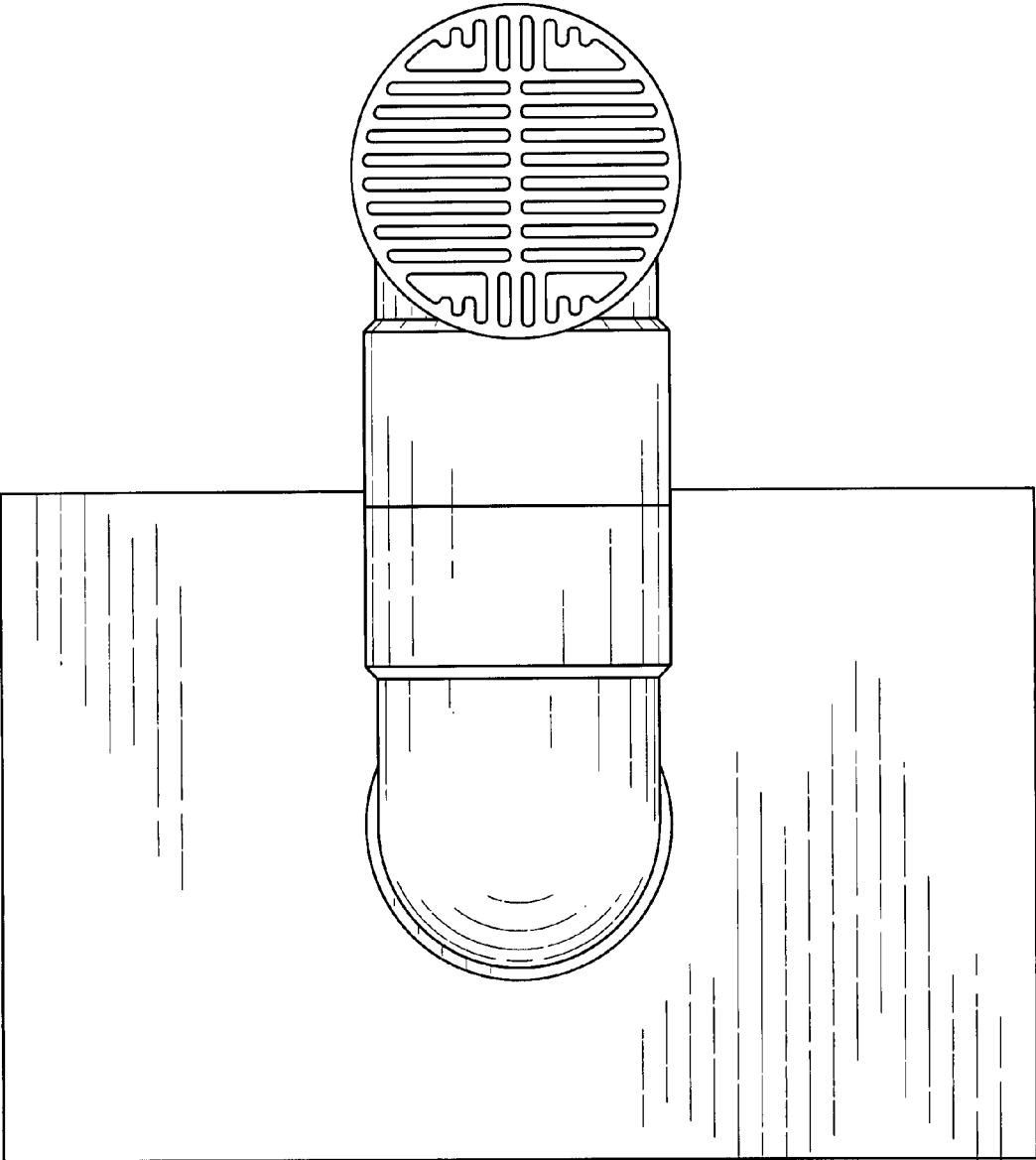


Fig. 4

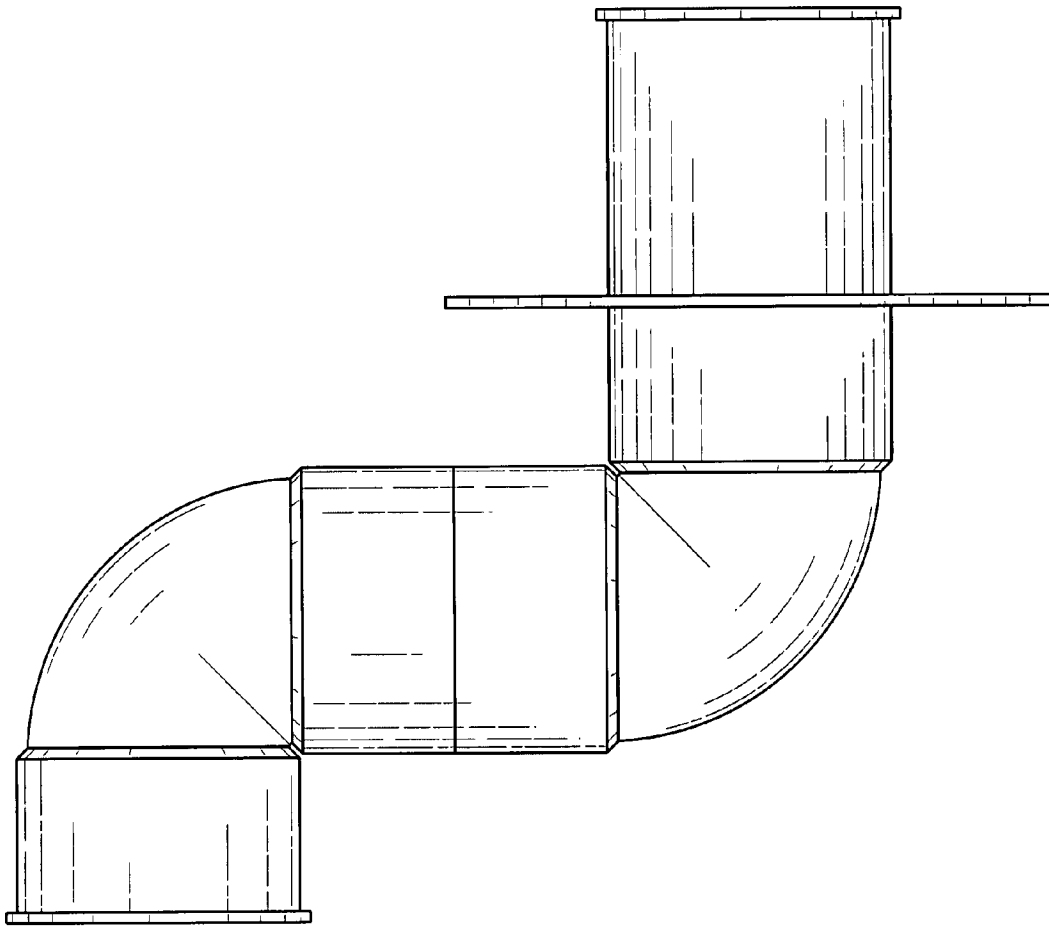


Fig. 5

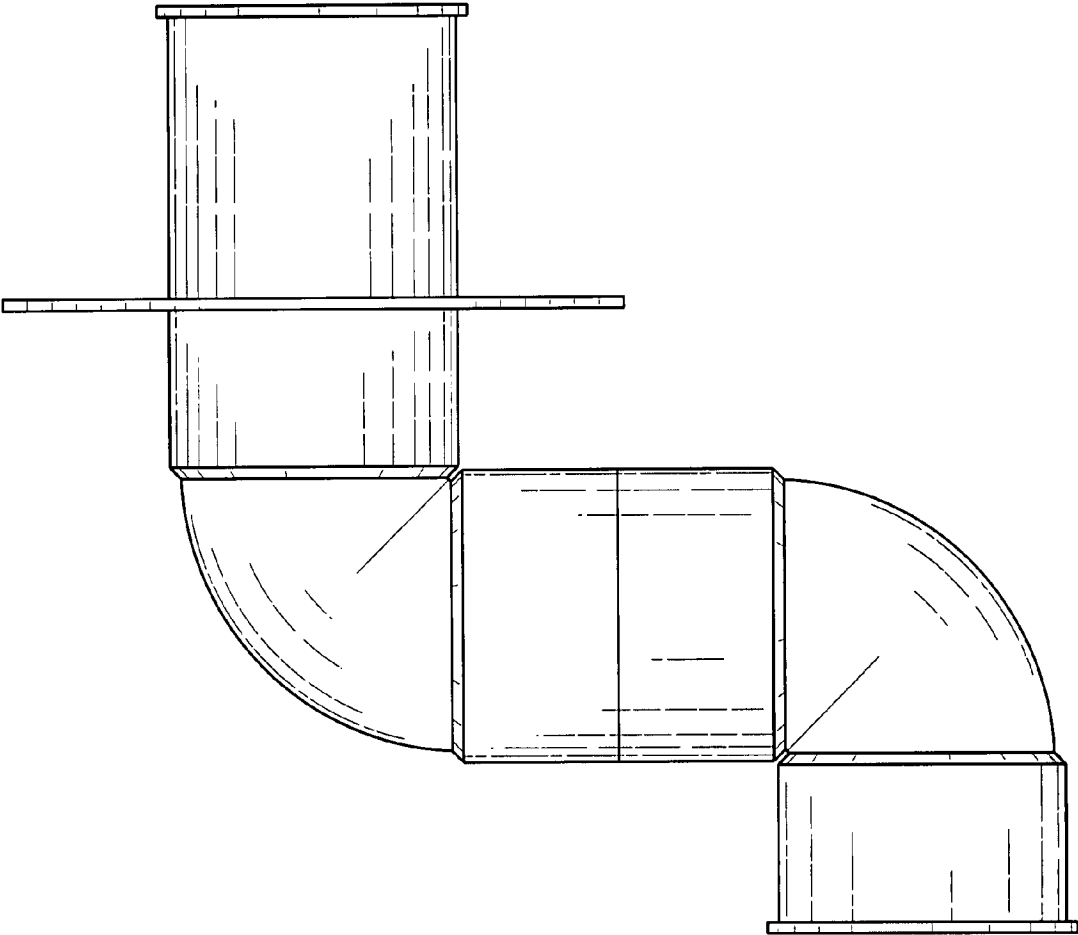


Fig. 6

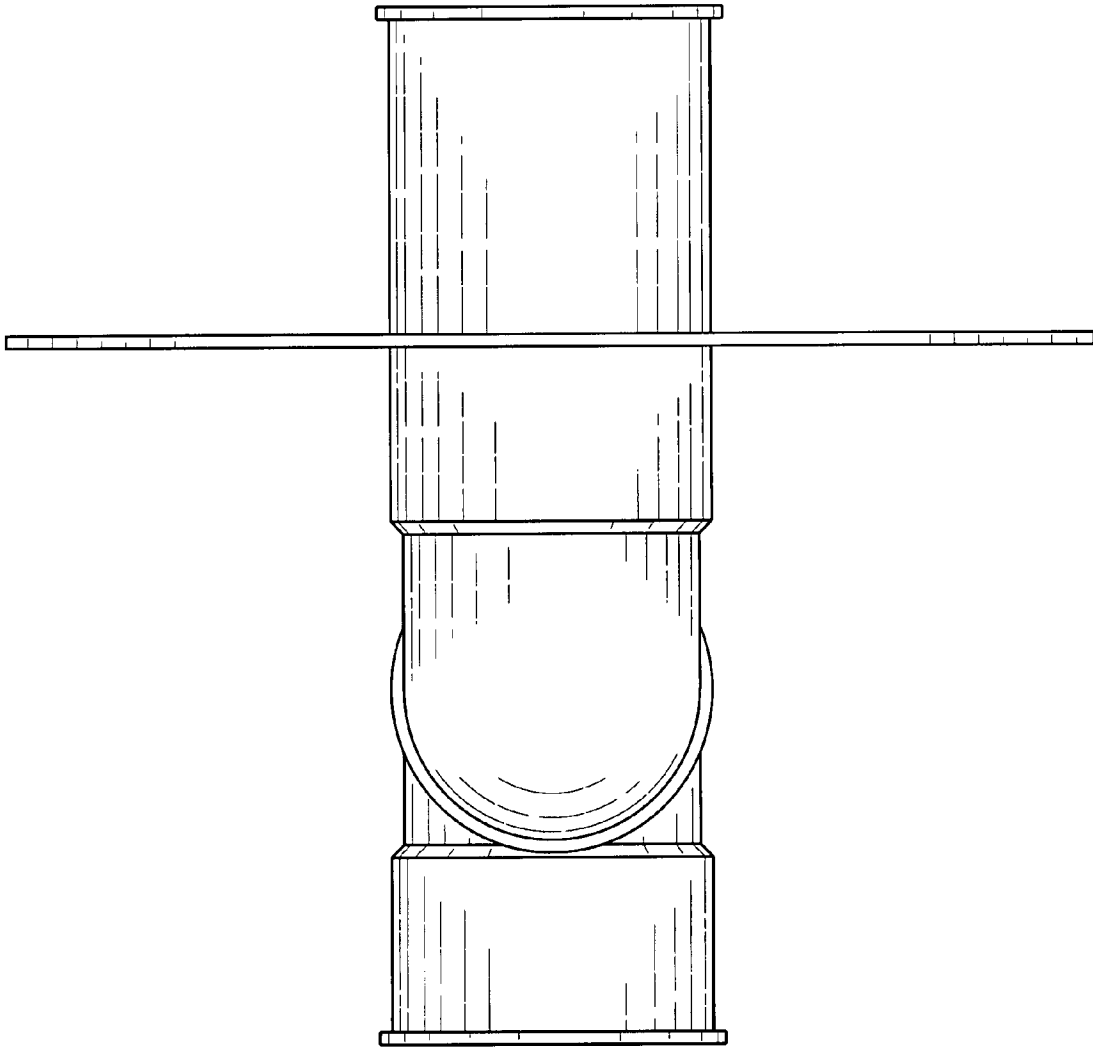


Fig. 7