



US00D599629S

(12) **United States Design Patent**
Pearce

(10) **Patent No.:** **US D599,629 S**

(45) **Date of Patent:** **** Sep. 8, 2009**

(54) **GARDEN PLUG DEVICE**

D560,982 S * 2/2008 Hammond, Sr. D8/7

(76) Inventor: **Dennis R. Pearce**, 46 S. Lawson Rd.,
Poquoson, VA (US) 23662

* cited by examiner

Primary Examiner—Holly H Baynham

Assistant Examiner—Sheryl Lane

(74) *Attorney, Agent, or Firm*—William G. Sykes

(**) Term: **14 Years**

(21) Appl. No.: **29/308,279**

(57) **CLAIM**

(22) Filed: **Jun. 9, 2008**

The ornamental design for a garden plug device, as shown.

(51) **LOC (9) Cl.** **08-01**

(52) **U.S. Cl.** **D8/1**

(58) **Field of Classification Search** D8/1,
D8/9; D15/28; 111/101.14, 106; 172/22,
172/21, 371–372; 294/50.5

See application file for complete search history.

DESCRIPTION

FIG. 1 is a top perspective view of a garden plug device of my new design;

FIG. 2 is a bottom perspective thereof;

FIG. 3 is a front view thereof;

FIG. 4 is top view thereof;

FIG. 5 is a bottom view thereof;

FIG. 6 is a right side view thereof;

FIG. 7 is a left side view thereof; and,

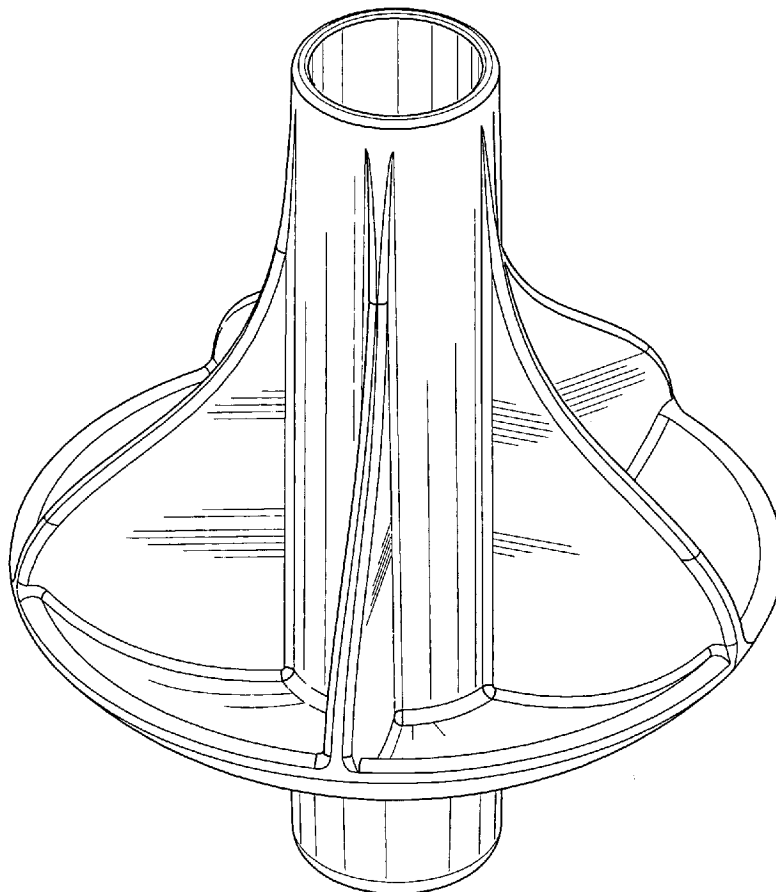
FIG. 8 is a back view thereof.

(56) **References Cited**

U.S. PATENT DOCUMENTS

| | | | | |
|-----------|------|--------|-----------------------|-----------|
| 4,986,368 | A * | 1/1991 | Underwood et al. | 175/394 |
| D405,328 | S * | 2/1999 | Bott | D8/1 |
| 6,599,065 | B2 * | 7/2003 | Haughton et al. | 408/203.5 |
| 6,892,823 | B2 * | 5/2005 | Cirella | 172/371 |
| D528,878 | S * | 9/2006 | Laramée | D8/7 |
| 7,198,113 | B1 * | 4/2007 | Schoppe | 172/22 |

1 Claim, 8 Drawing Sheets



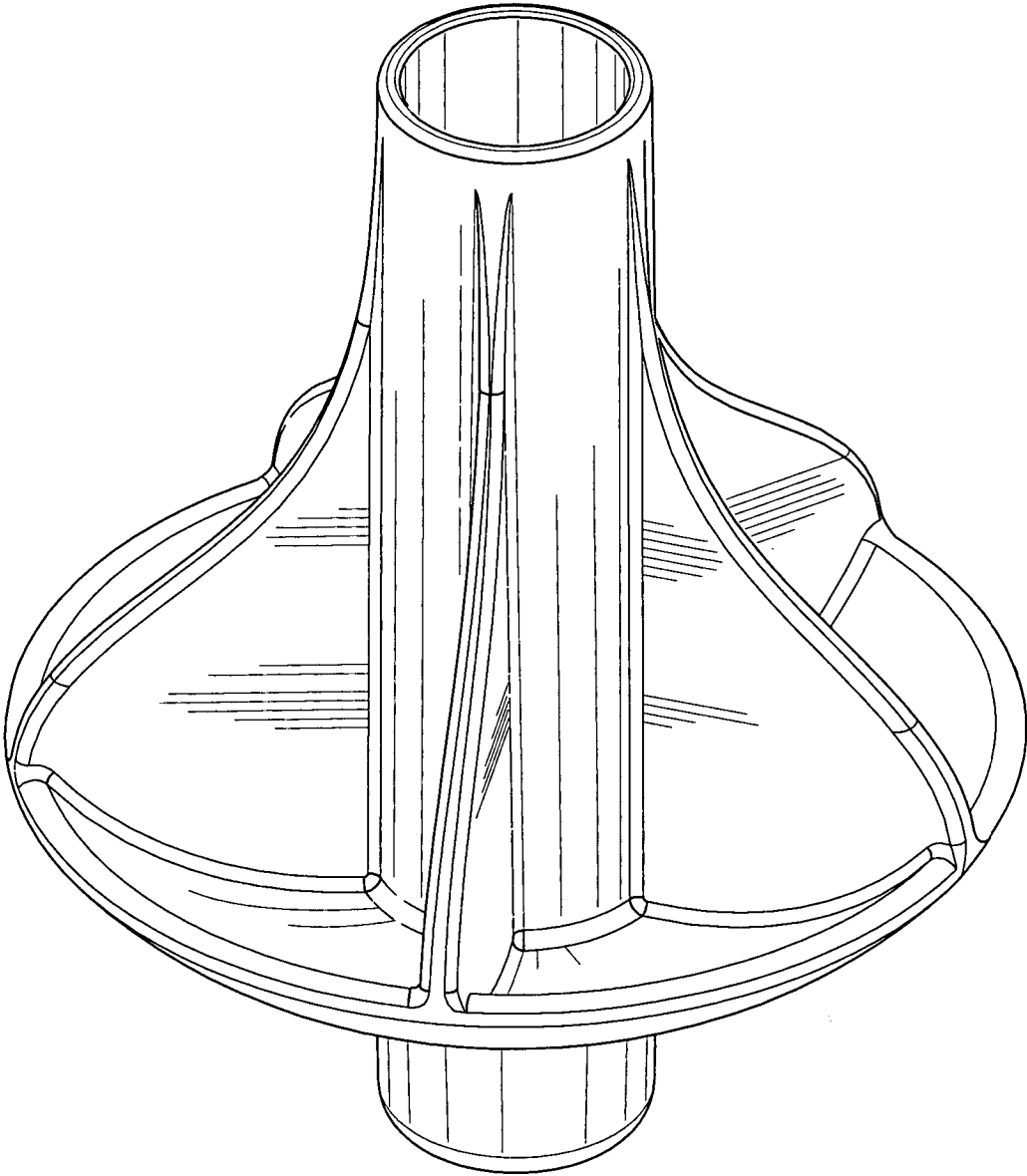


Fig. 1

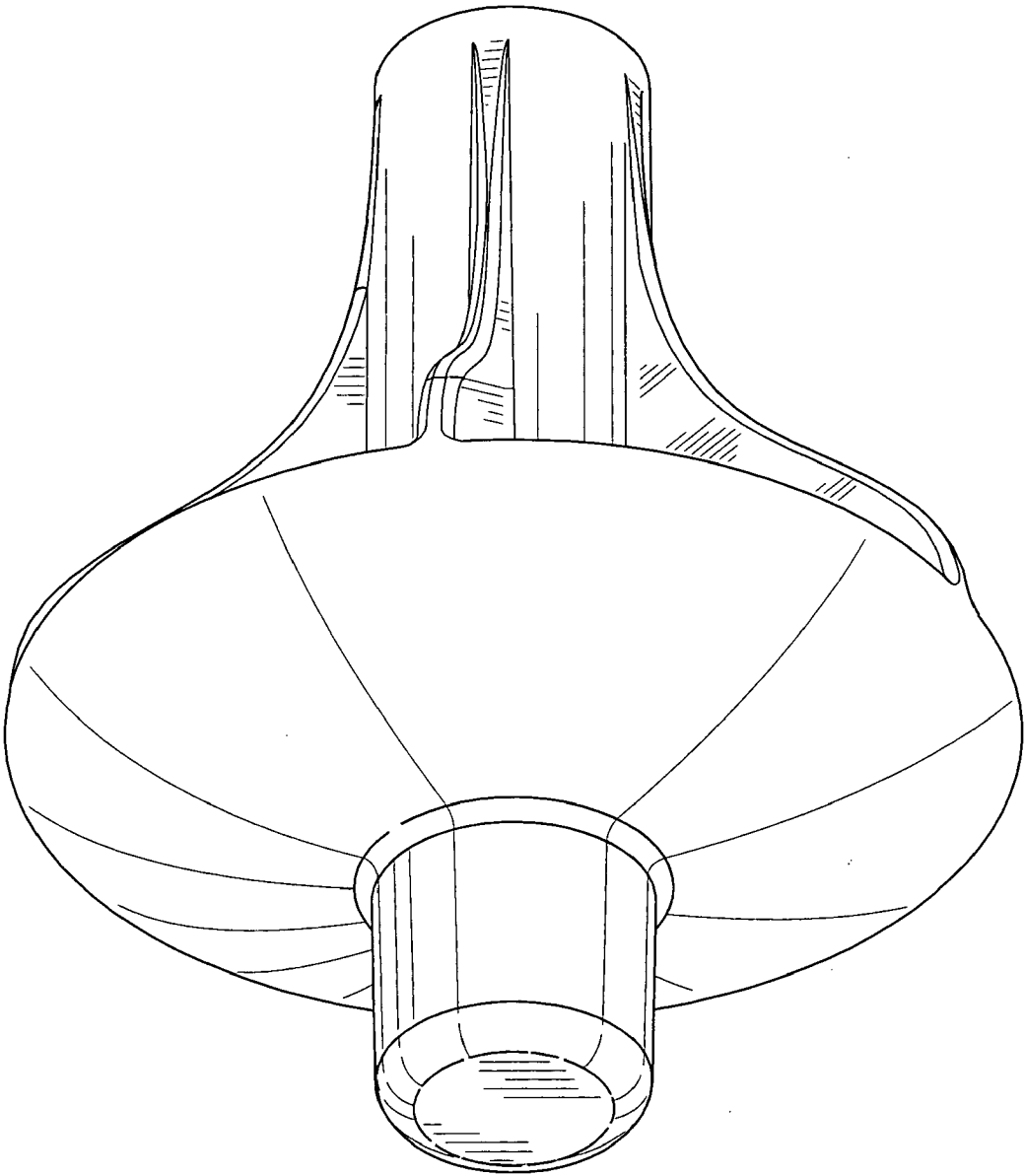


Fig. 2

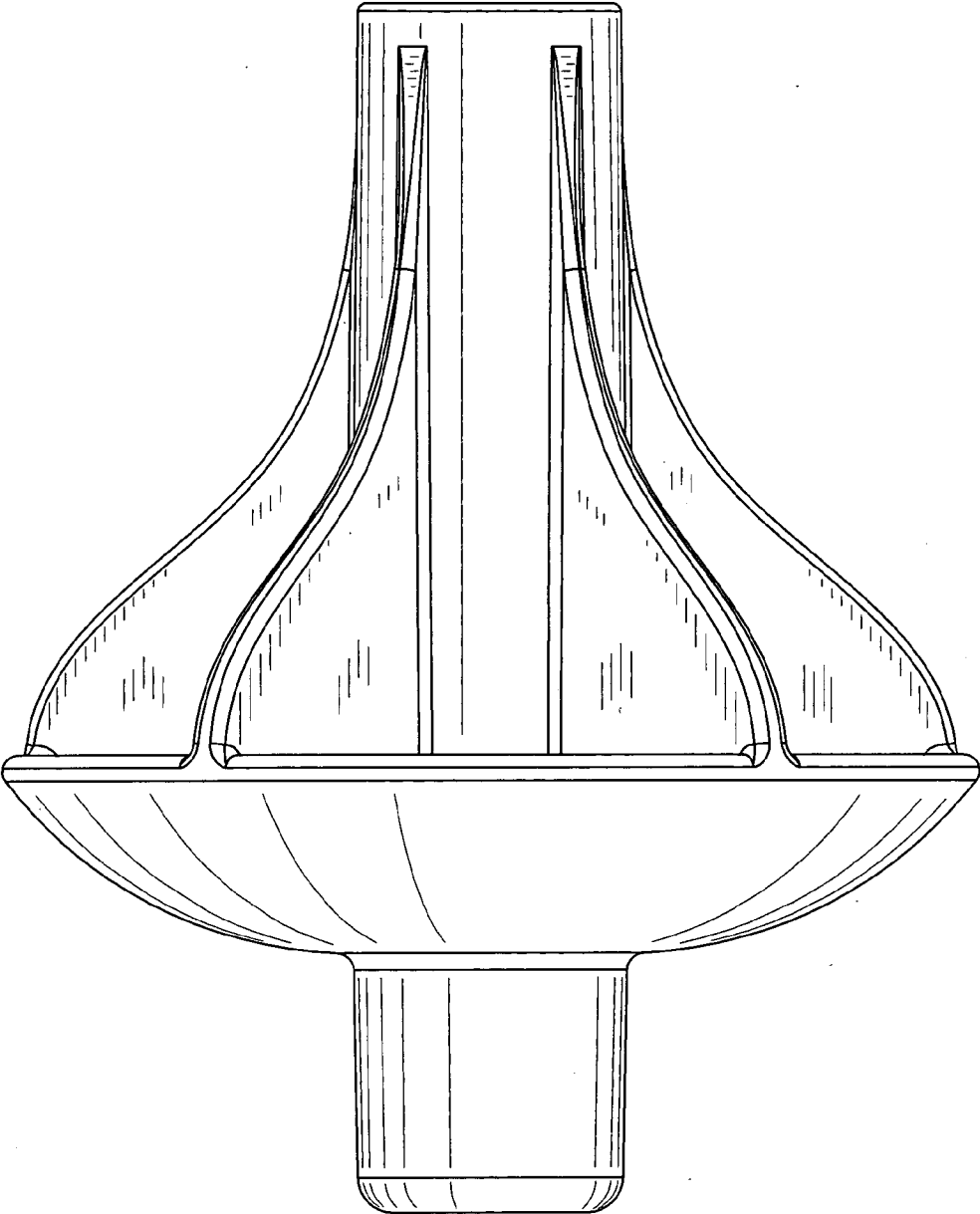


Fig. 3

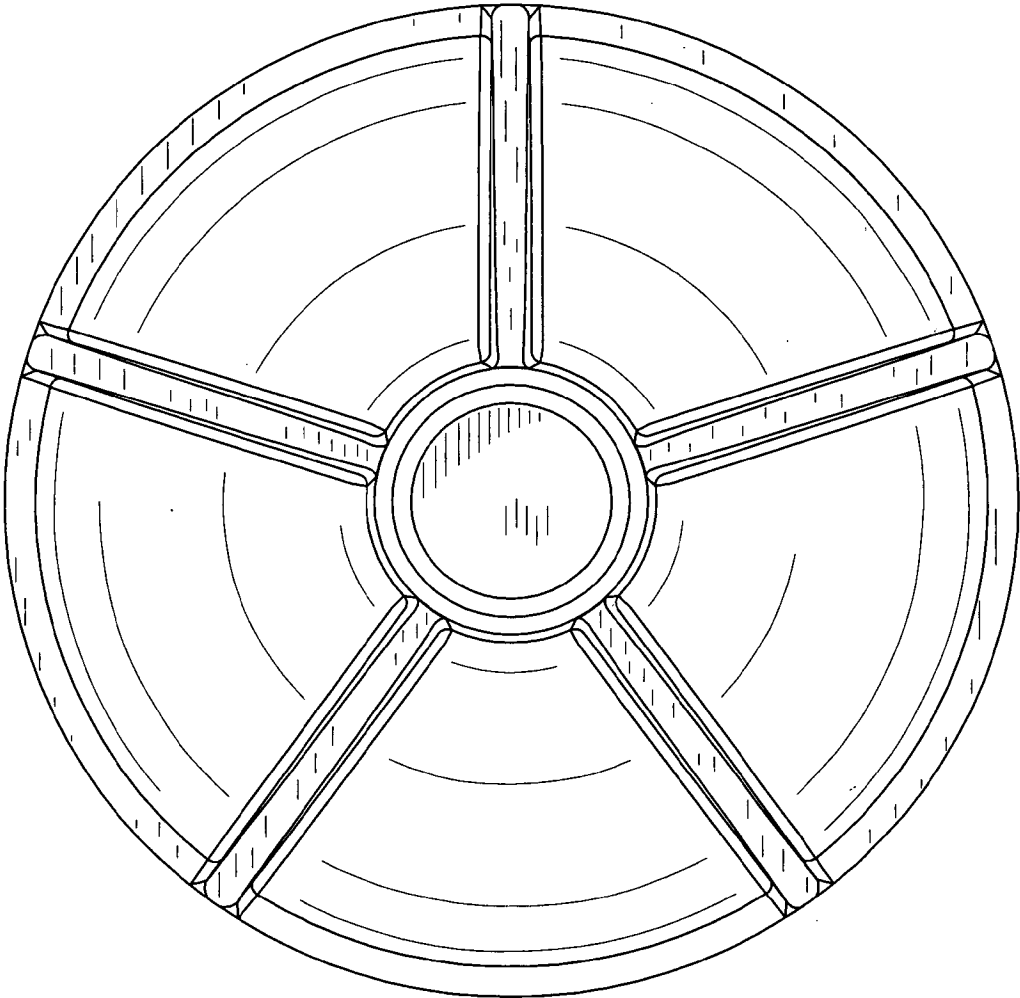


Fig. 4

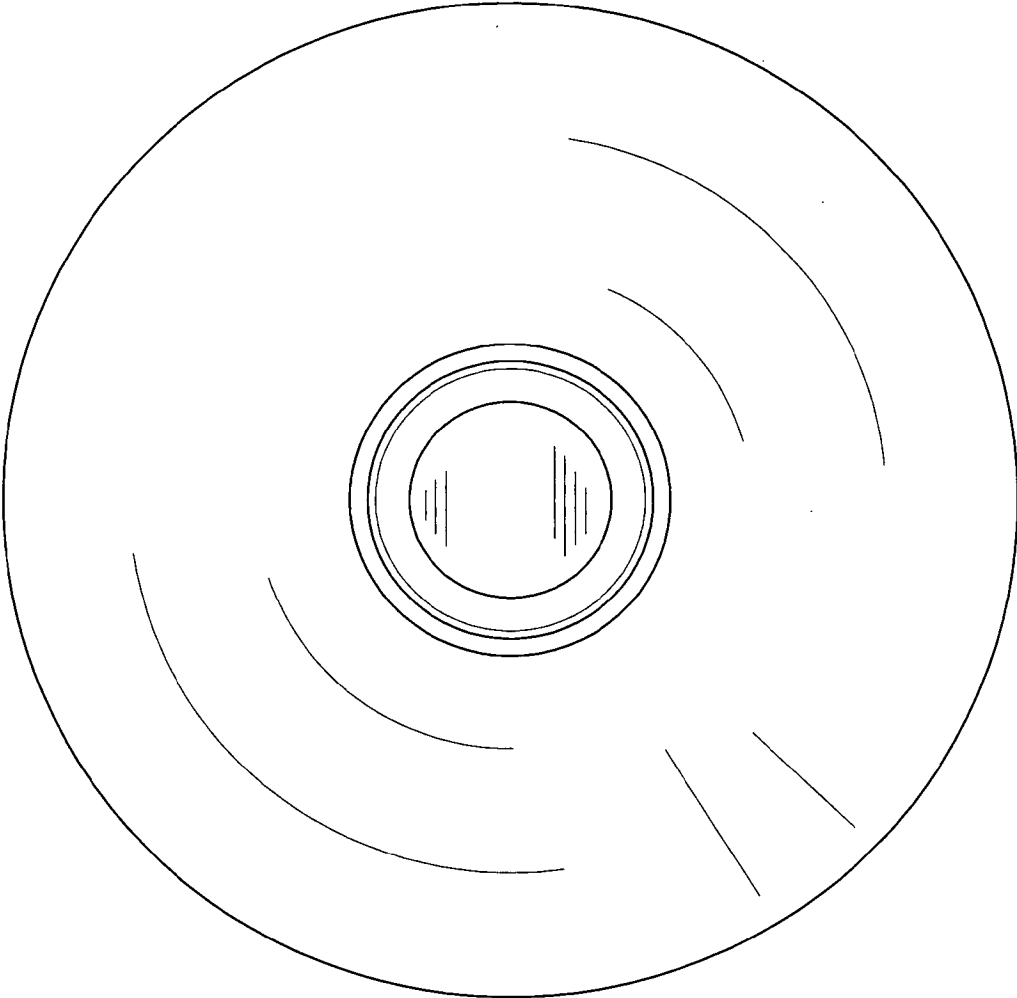


Fig. 5

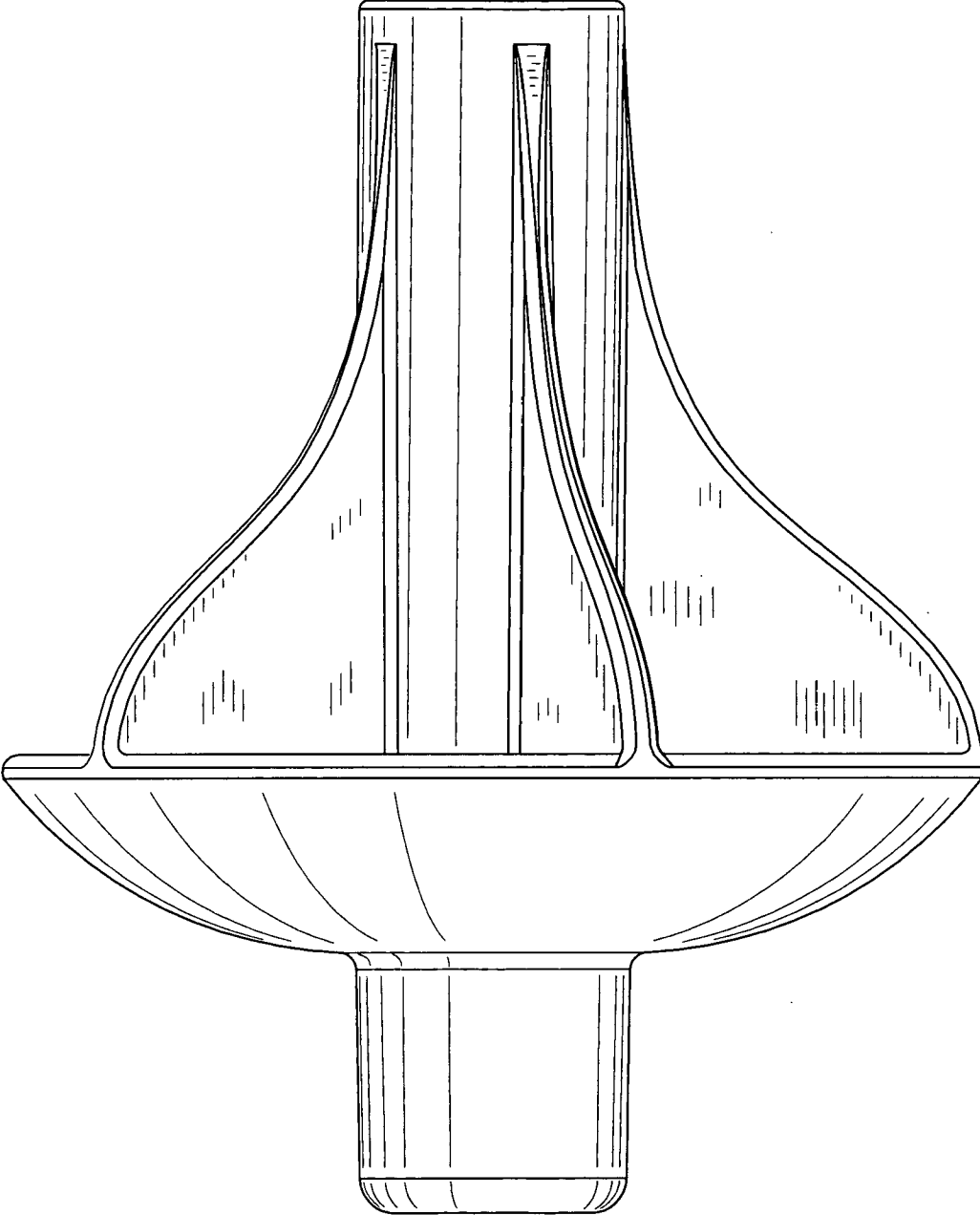


Fig. 6

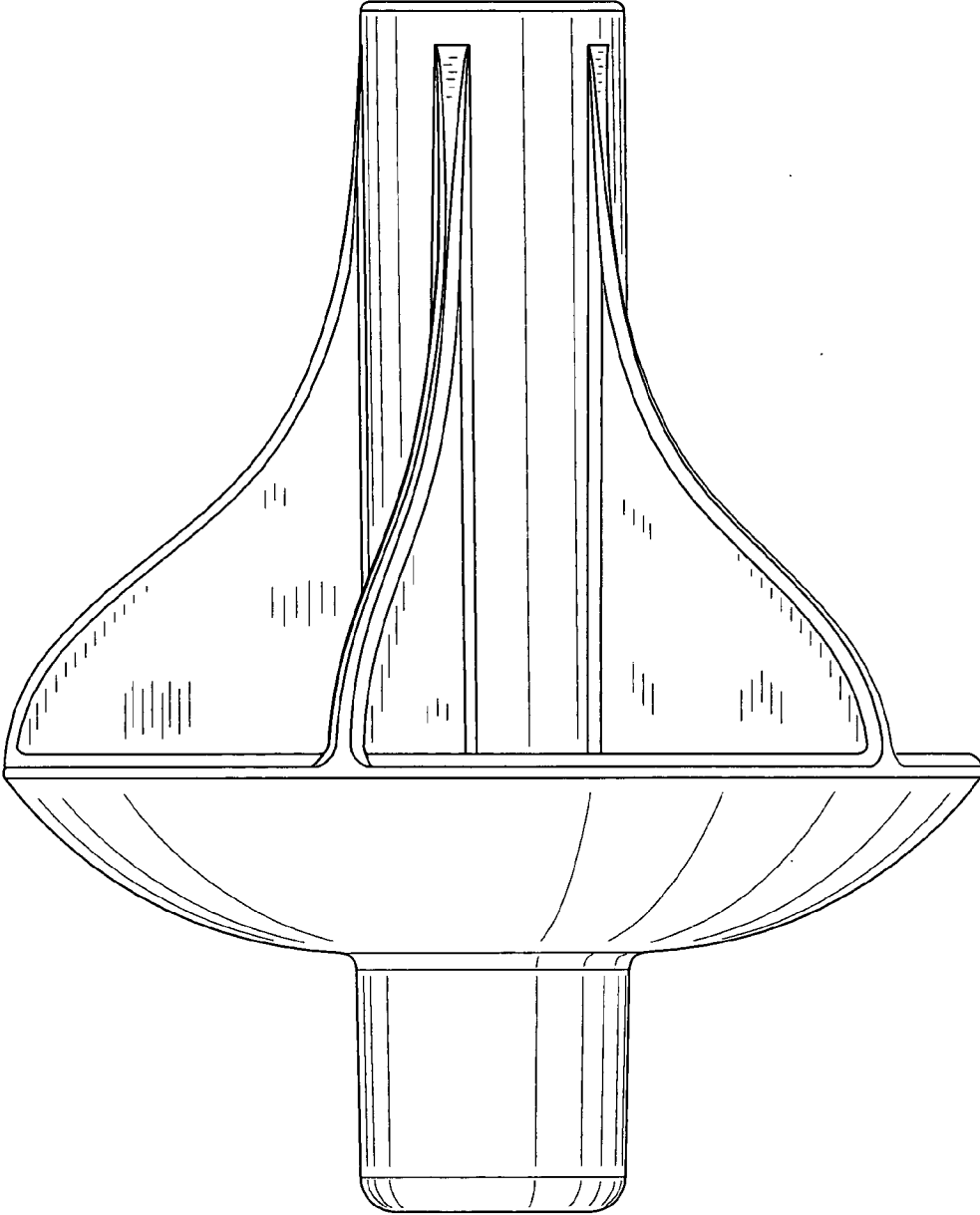


Fig. 7

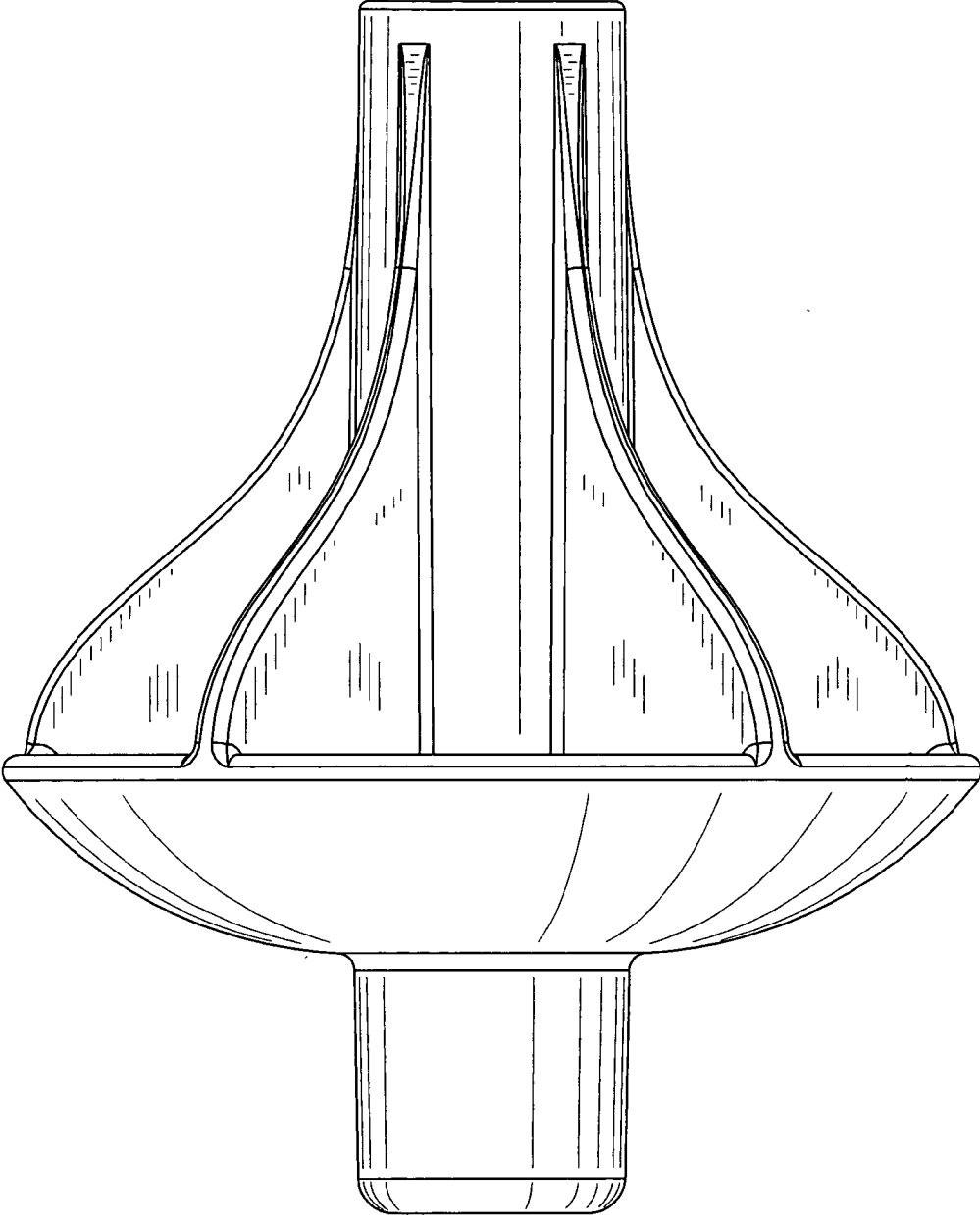


Fig. 8