



US00D590567S

(12) **United States Design Patent**
Latham

(10) **Patent No.:** **US D590,567 S**

(45) **Date of Patent:** **** Apr. 14, 2009**

(54) **LAUNDRY CART PLASTIC DISPOSABLE LINER**

7,243,929 B2 *	7/2007	Suchecki	280/79.2
D550,912 S *	9/2007	Kempske	D32/37
7,398,977 B2 *	7/2008	Short	280/33.992
2008/0012253 A1 *	1/2008	Short	280/33.992

(76) Inventor: **Michael A. Latham**, 698 Aylesbury Dr.,
Virginia Beach, VA (US) 23462

* cited by examiner

(**) Term: **14 Years**

Primary Examiner—Cynthia E Ramirez

(21) Appl. No.: **29/291,593**

(74) *Attorney, Agent, or Firm*—William G. Sykes

(22) Filed: **Sep. 7, 2007**

(57) **CLAIM**

(51) **LOC (9) Cl.** **12-02**

The ornamental design for a laundry cart plastic disposable liner, as shown and described.

(52) **U.S. Cl.** **D34/27**

(58) **Field of Classification Search** D34/27;
D32/37; D3/304, 305, 307, 308, 309, 312,
D3/314, 318, 319; 220/607, 676, 770, 413,
220/908–909, 908.1; 280/33.992; D30/161;
D11/143

DESCRIPTION

See application file for complete search history.

FIG. 1 is an illustrative front, left isometric view of a laundry cart plastic disposable liner showing my new design;
FIG. 2 is an illustrative front elevational view thereof;
FIG. 3 is a front, left isometric view thereof;
FIG. 4 is a front elevational view thereof;
FIG. 5 is a top plan view thereof;
FIG. 6 is an end view thereof, the other end being the same; and,
FIG. 7 is a bottom view thereof.

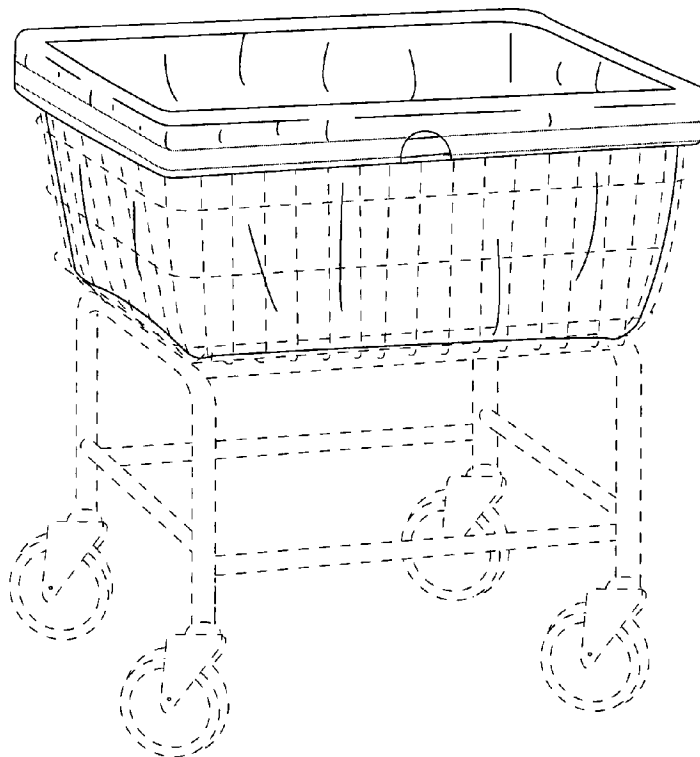
(56) **References Cited**

U.S. PATENT DOCUMENTS

4,312,295 A *	1/1982	Harrington	119/167
4,560,096 A *	12/1985	Lucas et al.	224/411
4,638,967 A *	1/1987	MacDuffee	248/97
5,472,107 A *	12/1995	Lieber	220/6
5,918,798 A *	7/1999	Frahm	229/117.07
D426,684 S *	6/2000	Kenney	D30/161
D495,491 S *	9/2004	Ramirez et al.	D3/304
D495,846 S *	9/2004	Liu	D34/17
D540,039 S *	4/2007	van Beuningen	D3/314

The broken line showing of a cart in FIGS. 1 and 2 is included for the purpose of illustrating environment and forms no part of the claimed design.

1 Claim, 5 Drawing Sheets



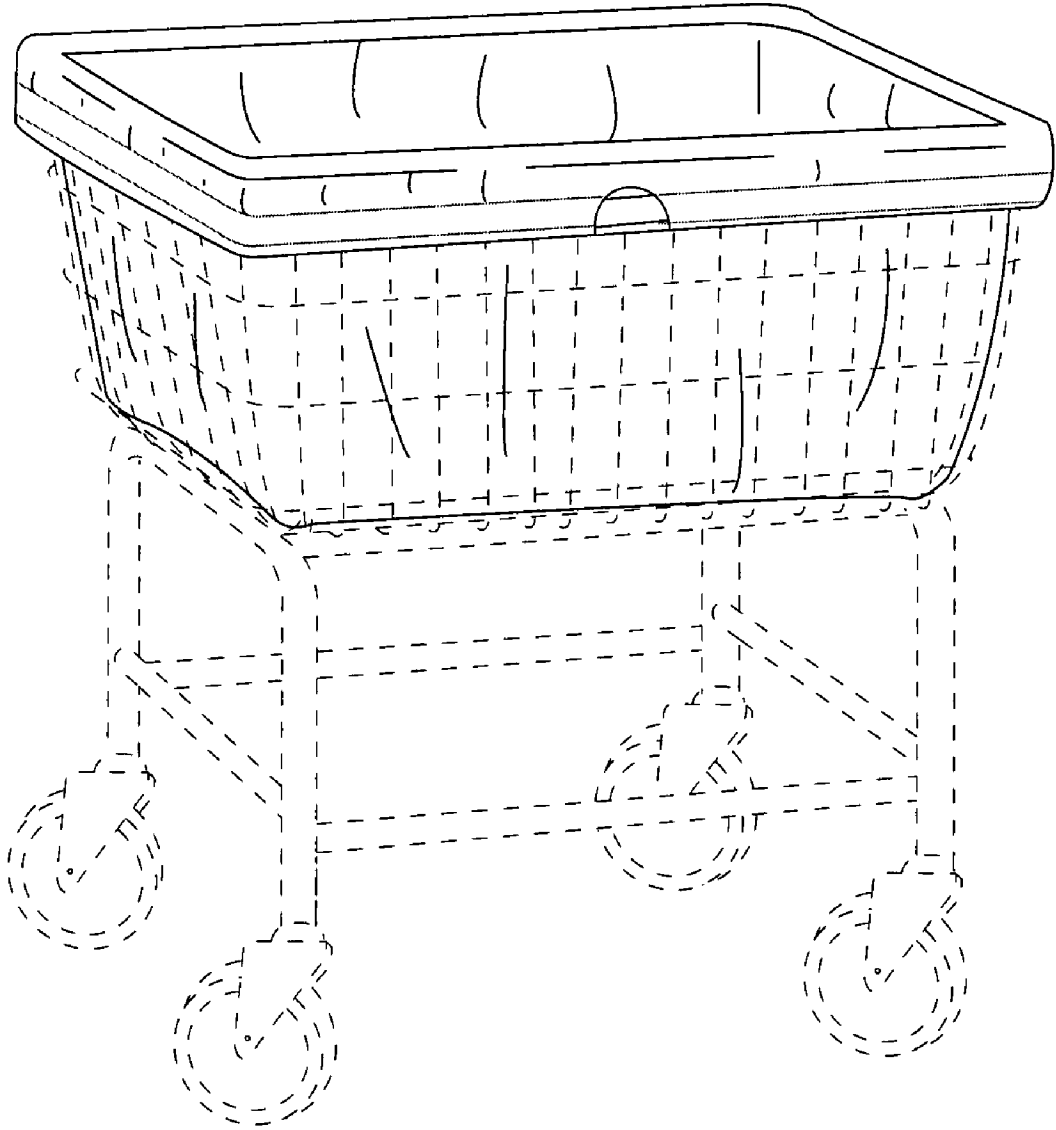


Fig. 1

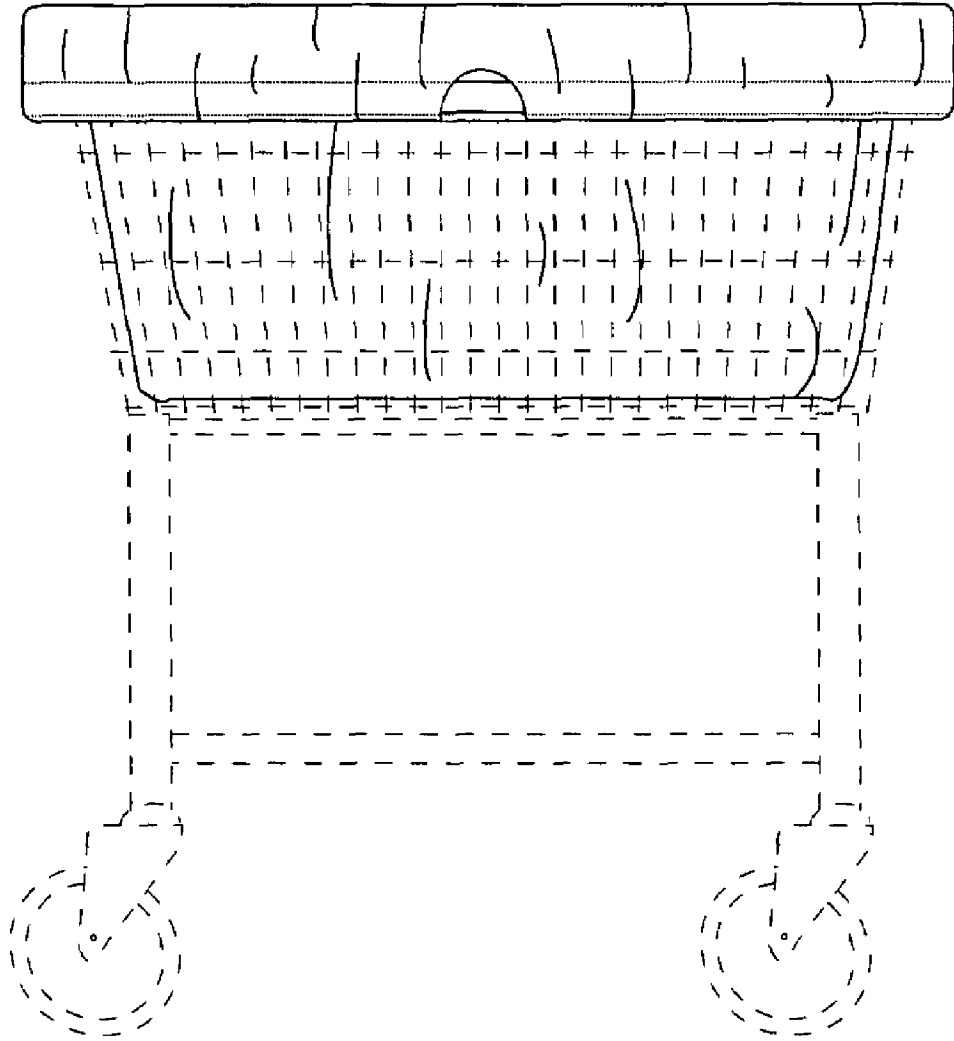


Fig. 2

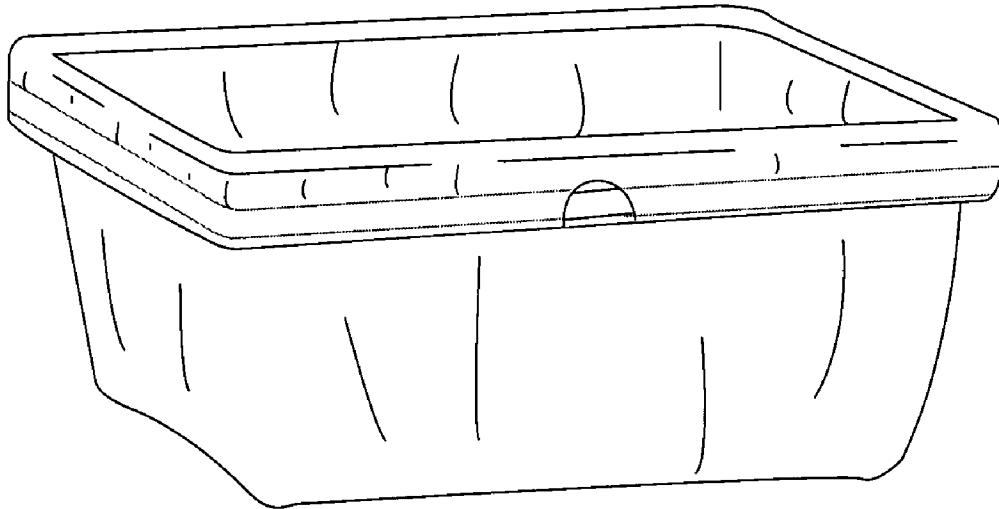


Fig. 3

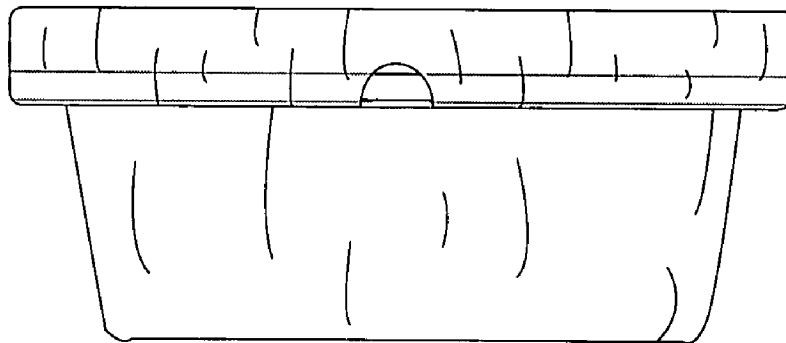


Fig. 4

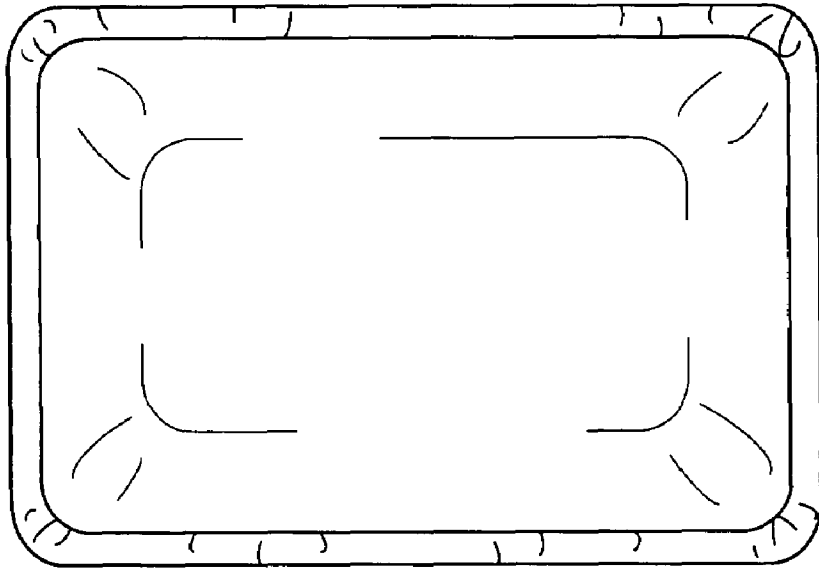


Fig. 5

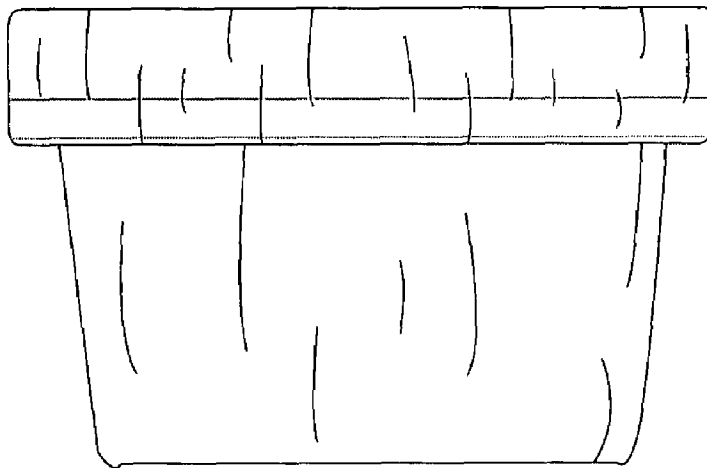


Fig. 6

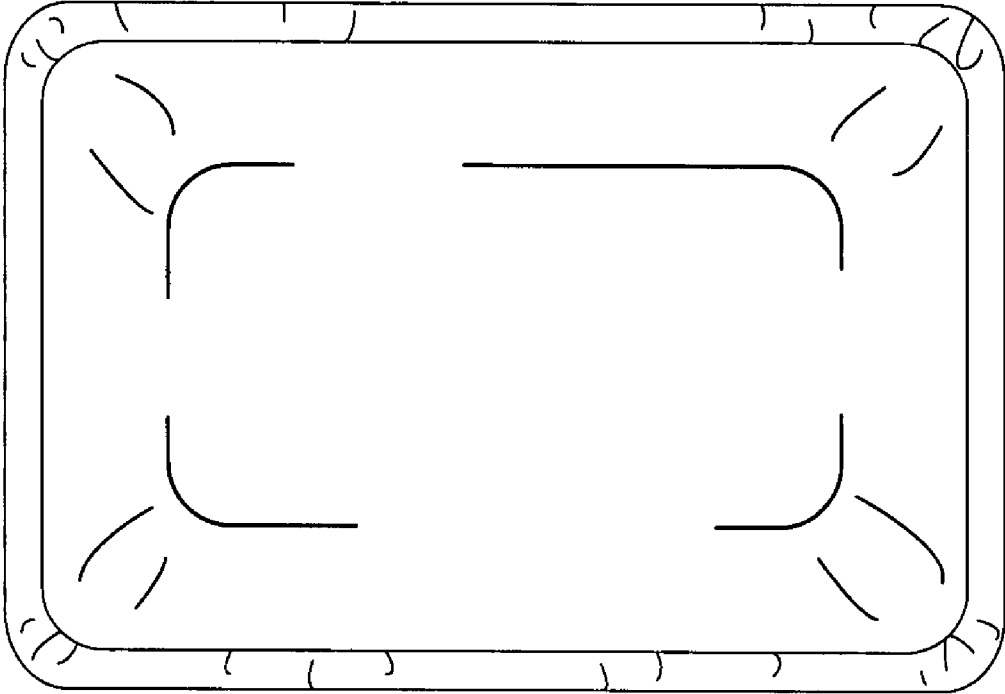


Fig. 7