



US00D585947S

(12) **United States Design Patent**
Royster

(10) **Patent No.:** **US D585,947 S**

(45) **Date of Patent:** **** Feb. 3, 2009**

(54) **ADJUSTABLE PUSHUP EXERCISE GRIP**

(76) Inventor: **Dwayne A. Royster**, 976 Bagnall Rd.,
Norfolk, VA (US) 23504

(**) Term: **14 Years**

(21) Appl. No.: **29/308,306**

(22) Filed: **Jun. 11, 2008**

(51) **LOC (9) Cl.** **21-02**

(52) **U.S. Cl.** **D21/662**

(58) **Field of Classification Search** D21/662,
D21/686; 482/91, 92, 95, 96, 141, 148; D8/14,
D8/90

See application file for complete search history.

(56) **References Cited**

U.S. PATENT DOCUMENTS

4,351,525	A *	9/1982	Rozenblad	482/141
4,768,778	A *	9/1988	Thomas, Jr.	482/141
5,358,463	A *	10/1994	Fuentes	482/141
D364,902	S *	12/1995	Fleming	D21/686
5,632,707	A *	5/1997	Daniel et al.	482/8
6,471,623	B1 *	10/2002	Lin	482/141
D479,289	S *	9/2003	Turner	D21/662
D523,497	S *	6/2006	Johnson et al.	D21/727

D525,508	S *	7/2006	Leonard, II	D8/90
D576,693	S *	9/2008	Khubani	D21/686
D579,503	S *	10/2008	Hauser et al.	D21/662
2006/0014615	A1 *	1/2006	Godbold	482/141
2006/0035771	A1 *	2/2006	Gant	482/141

* cited by examiner

Primary Examiner—Philip S Hyder

(74) *Attorney, Agent, or Firm*—William G. Sykes

(57) **CLAIM**

The ornamental design for an adjustable pushup exercise grip, as shown.

DESCRIPTION

FIG. 1 is a top isometric view of an adjustable pushup exercise grip of my new design;

FIG. 2 is a bottom perspective view thereof;

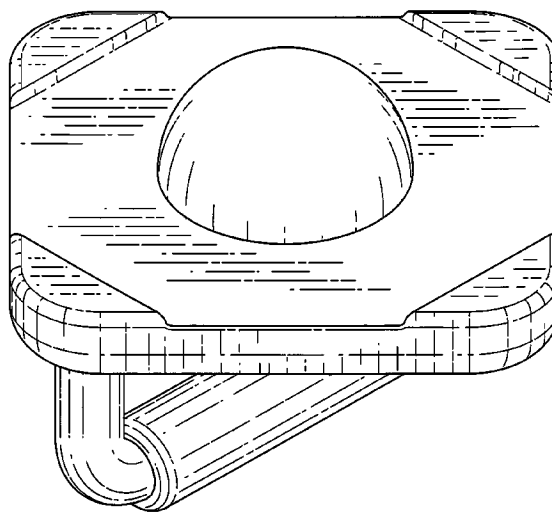
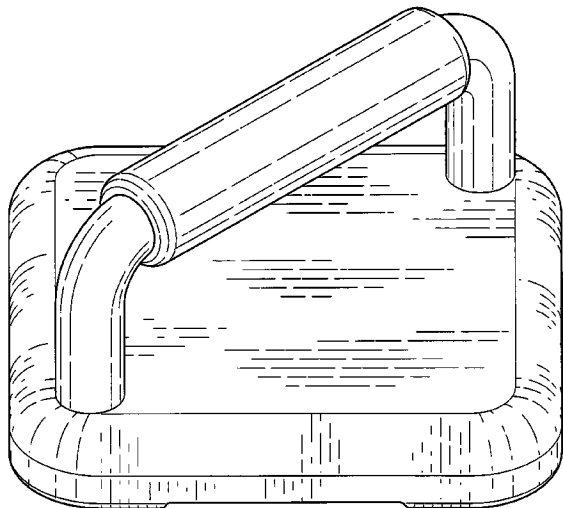
FIG. 3 is a front elevation view thereof, wherein the rear elevation view is identical;

FIG. 4 is a top plan view thereof;

FIG. 5 is a right side elevation view thereof, wherein the left side elevation view is identical; and,

FIG. 6 is a bottom plan view thereof.

1 Claim, 6 Drawing Sheets



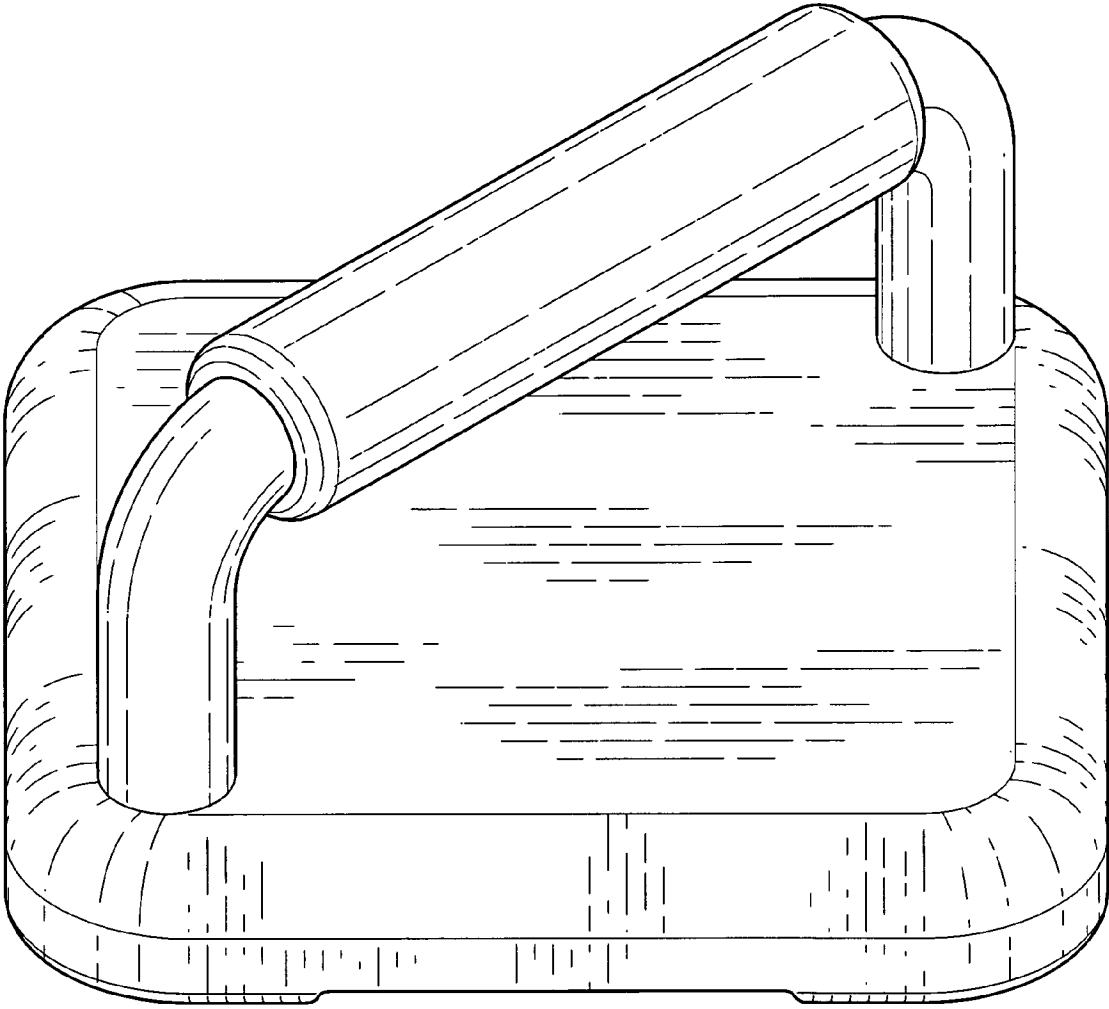


Fig. 1

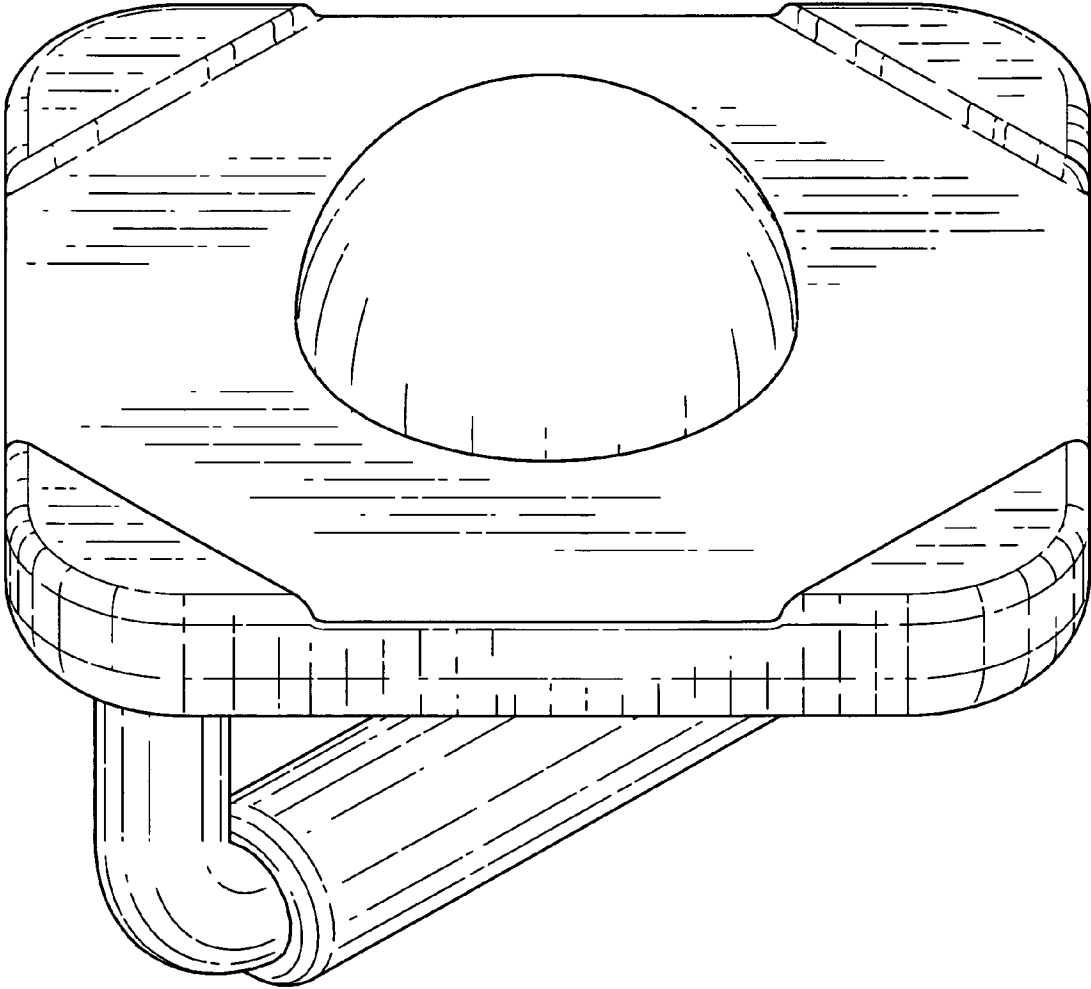


Fig. 2

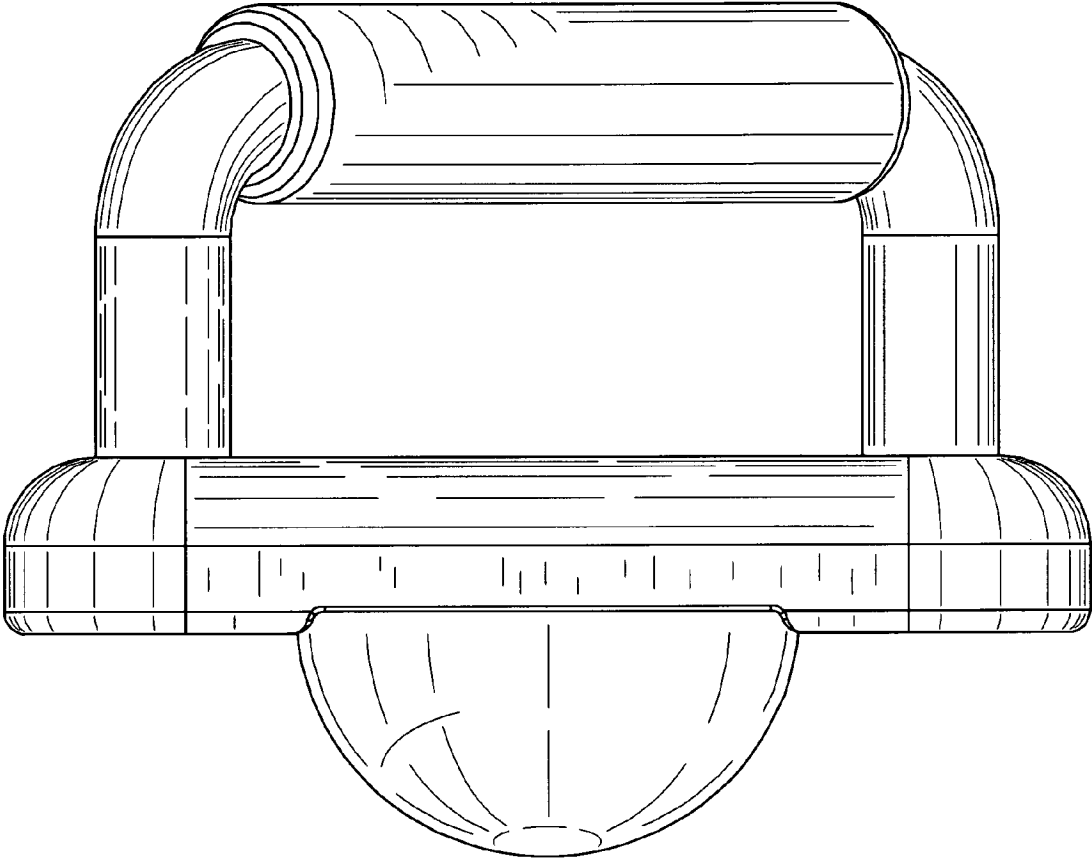


Fig. 3

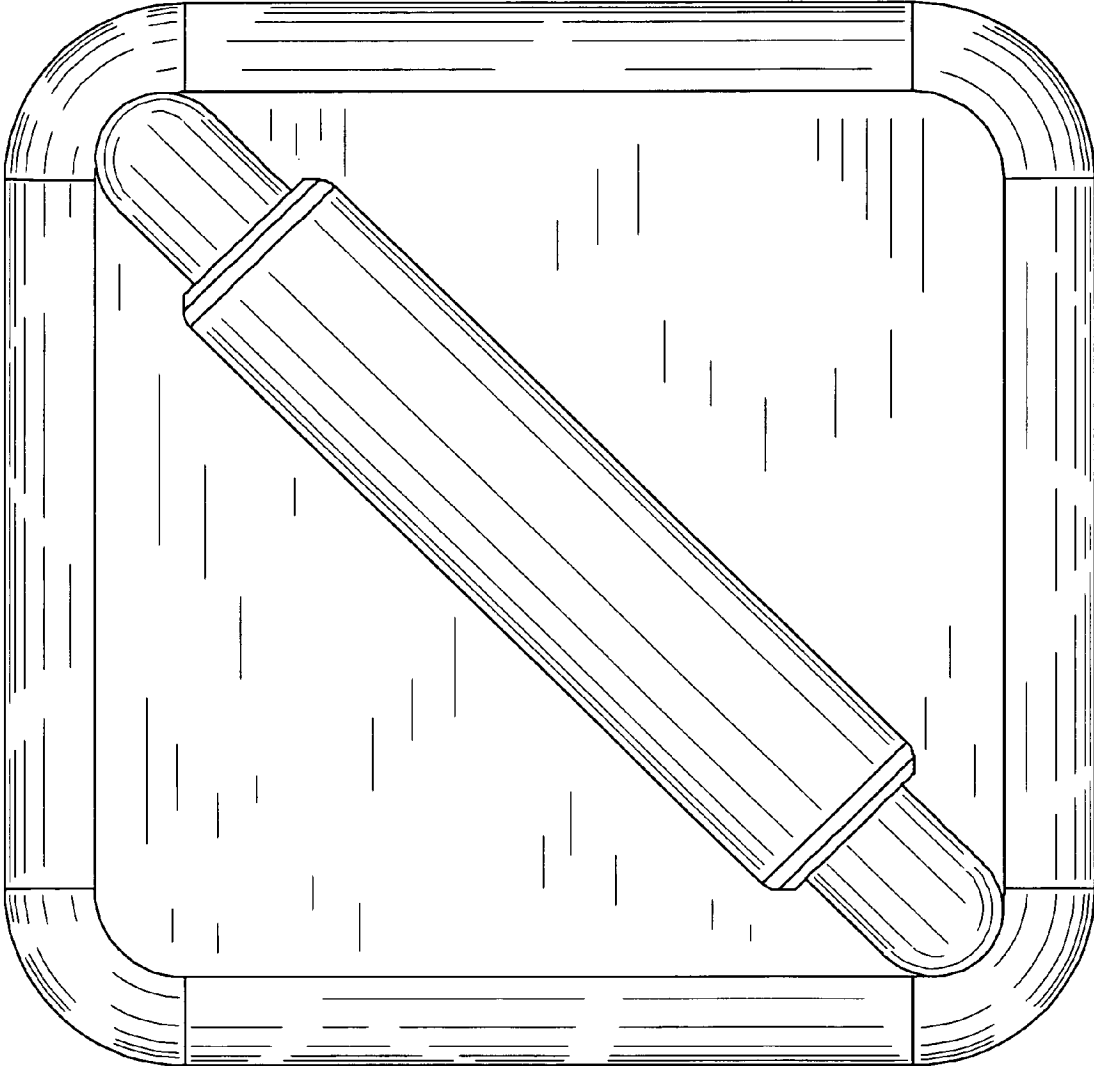


Fig. 4

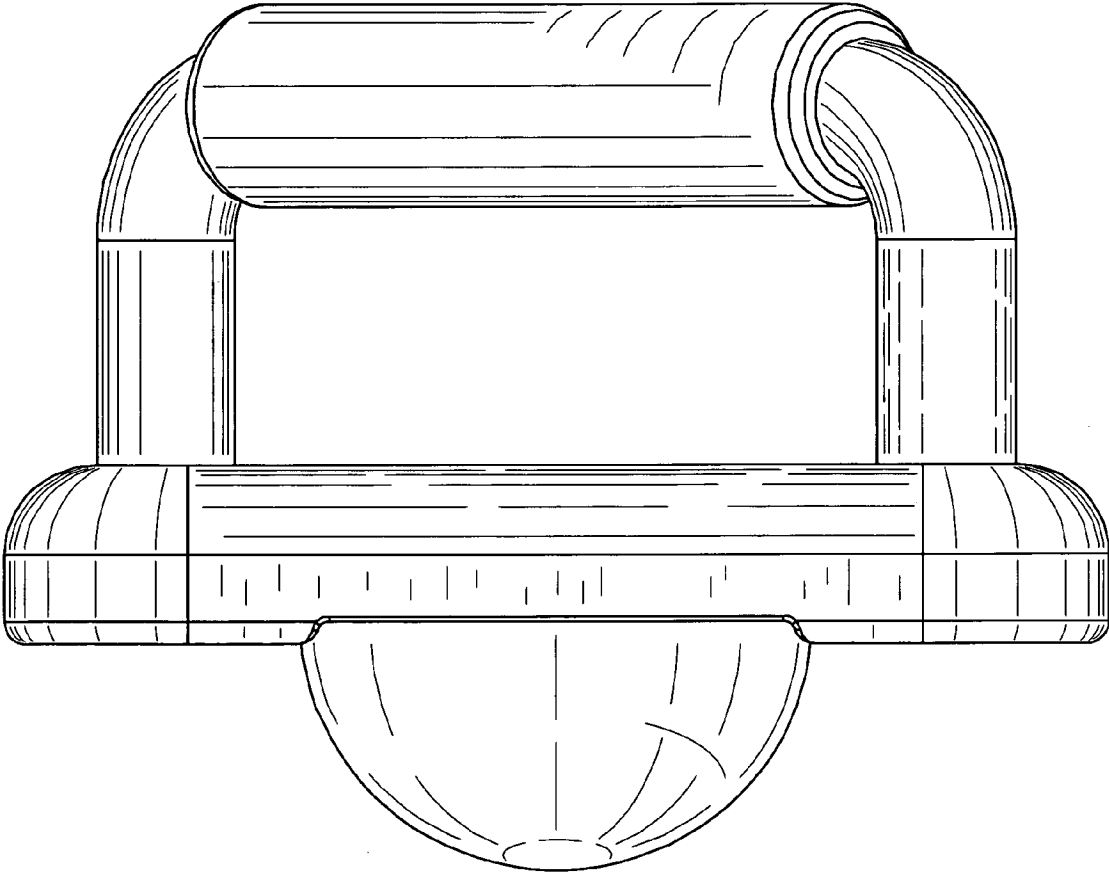


Fig. 5

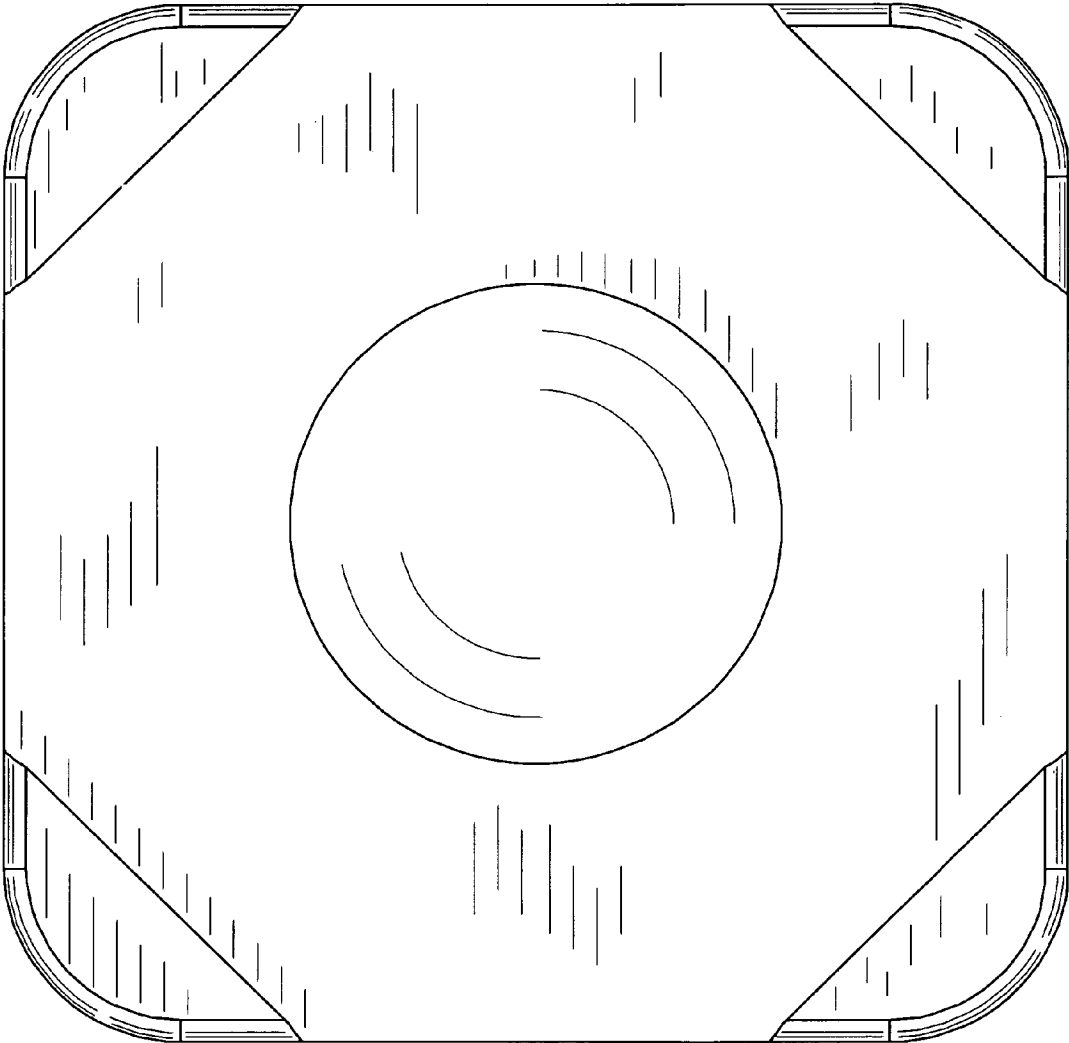


Fig. 6