



US00D575509S

(12) **United States Design Patent**  
**Evans**

(10) **Patent No.:** **US D575,509 S**

(45) **Date of Patent:** **\*\* Aug. 26, 2008**

(54) **MODEL HOME DISPLAY AND CARRYING CASE**

(76) Inventor: **Stephen Francis Evans**, 508 Diamond Plum Cir., #203, Virginia Beach, VA (US) 23452

(\*\*) Term: **14 Years**

(21) Appl. No.: **29/288,838**

(22) Filed: **Jun. 25, 2007**

(51) **LOC (8) Cl.** ..... **03-01**

(52) **U.S. Cl.** ..... **D3/271.6**

(58) **Field of Classification Search** ..... D3/270, D3/271.1, 271.6, 294-295; D6/432, 434; D7/628, 710; D9/600, 636, 640; D34/4; 206/822; 446/76, 476, 478

See application file for complete search history.

(56) **References Cited**

**U.S. PATENT DOCUMENTS**

1,630,117	A *	5/1927	Faulkner	.....	446/76
D150,493	S *	8/1948	Chin	.....	D21/511
D164,224	S *	8/1951	Di'Camillo	.....	D99/41
2,589,588	A *	3/1952	Winnemore	.....	446/85
D177,917	S *	6/1956	Luft	.....	D3/271.6
3,400,485	A *	9/1968	Callin et al.	.....	446/76
D230,661	S *	3/1974	Andrews	.....	D3/238
D240,354	S *	6/1976	Finkelstein	.....	D9/636
4,131,227	A *	12/1978	Patton et al.	.....	229/116.4
D260,595	S *	9/1981	Appel et al.	.....	D7/710
4,359,185	A *	11/1982	Castro	.....	232/17
D267,531	S *	1/1983	Lenger, Jr.	.....	D6/434
D267,615	S *	1/1983	Lenger, Jr.	.....	D6/434
D274,738	S *	7/1984	Nuttall et al.	.....	D21/511

D274,916	S *	7/1984	Hunt	.....	D19/28
D275,118	S *	8/1984	Edmisson et al.	.....	D21/511
4,508,519	A *	4/1985	Becker	.....	446/478
4,755,159	A *	7/1988	Templeton et al.	.....	446/76
D308,124	S *	5/1990	Janzer	.....	D99/30
5,294,123	A *	3/1994	Black	.....	473/182
D370,343	S *	6/1996	Kraner	.....	D3/271.6
5,588,249	A *	12/1996	Flinner	.....	43/61
6,260,707	B1 *	7/2001	Harris	.....	206/575
D510,189	S *	10/2005	Greiner	.....	D3/295
2005/0162847	A1 *	7/2005	Jahn	.....	362/155

\* cited by examiner

*Primary Examiner*—Gary D. Watson

*Assistant Examiner*—Roselynn Cody

(74) *Attorney, Agent, or Firm*—William G. Sykes

(57) **CLAIM**

The ornamental design for a model home display and carrying case, as shown.

**DESCRIPTION**

FIG. 1 is a front left isometric view of a model home display and carrying case showing my new design;

FIG. 2 is a left side plan view thereof;

FIG. 3 is a top plan view thereof;

FIG. 4 is a right side plan view thereof;

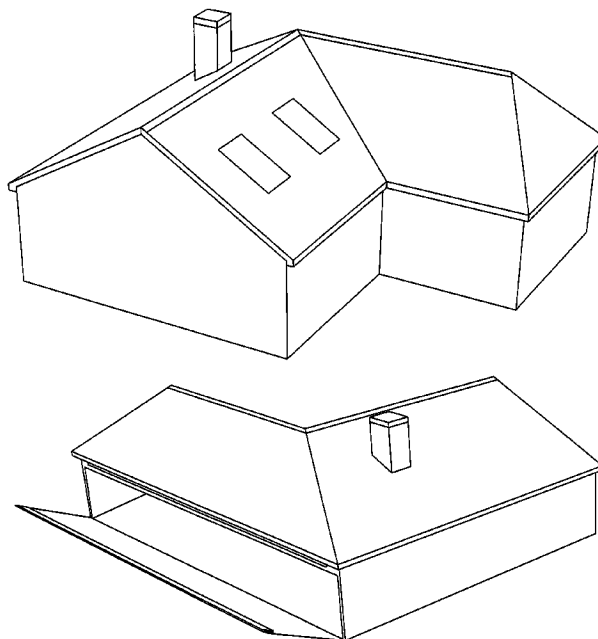
FIG. 5 is a front plan view thereof;

FIG. 6 is a back plan view thereof;

FIG. 7 is a back right isometric view thereof; and,

FIG. 8 is a front left isometric view thereof showing two layers of removal roofing.

**1 Claim, 8 Drawing Sheets**



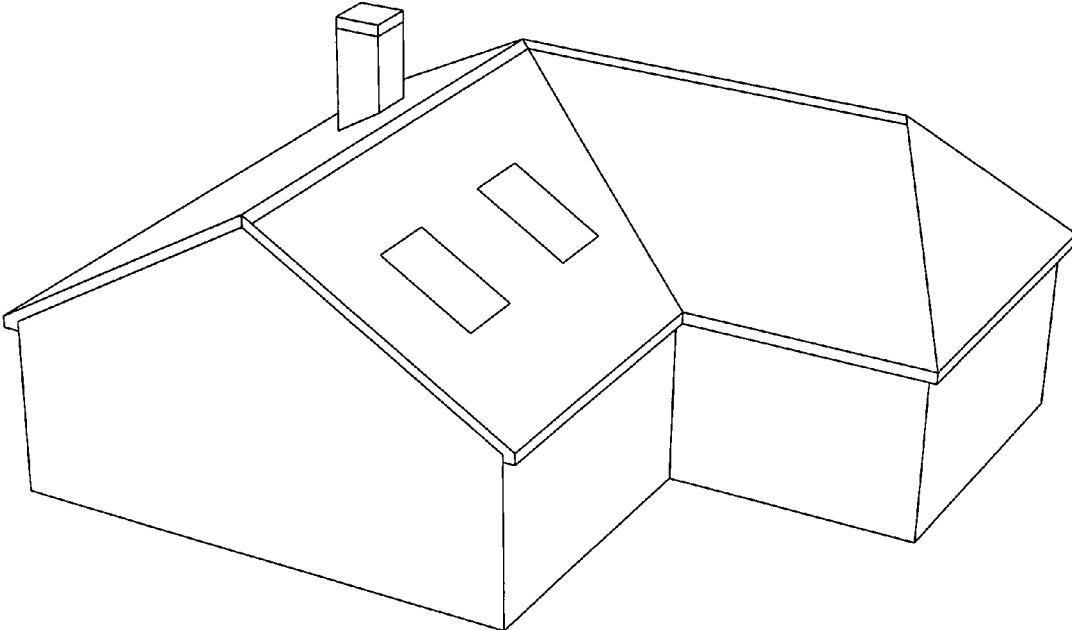


Fig. 1

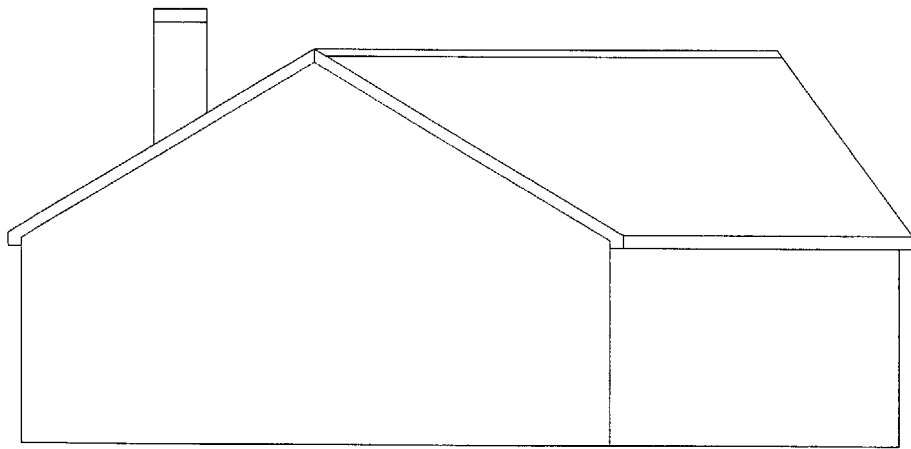


Fig. 2

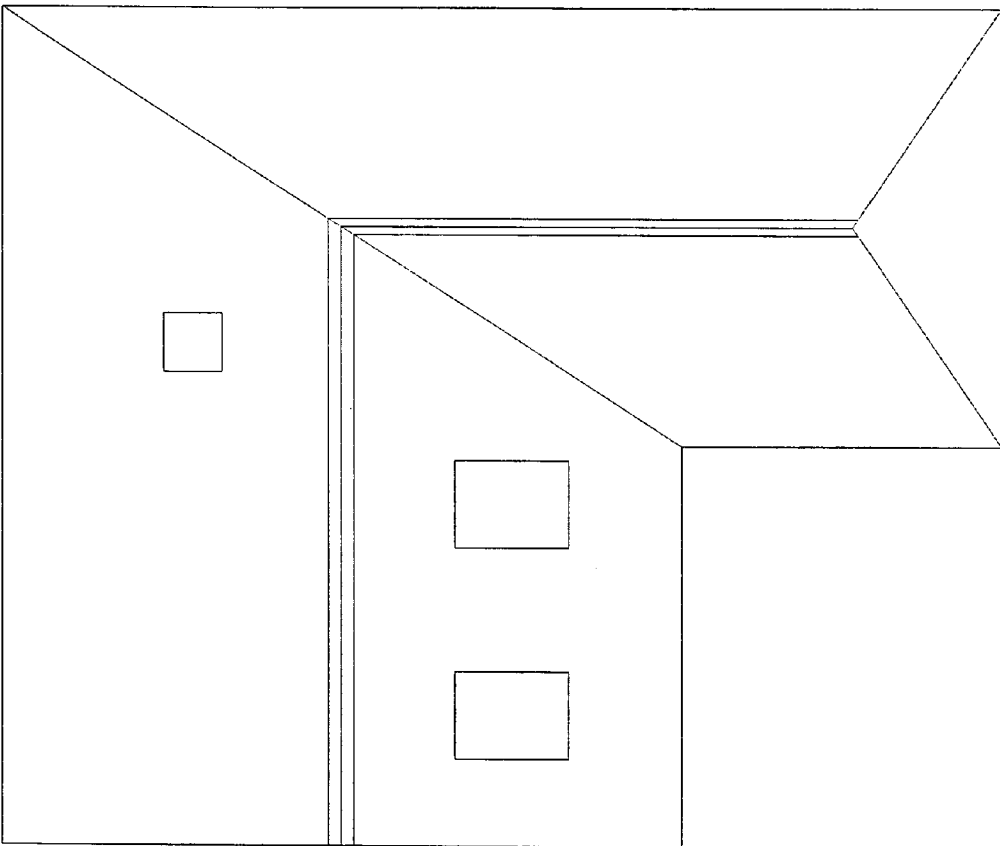


Fig. 3

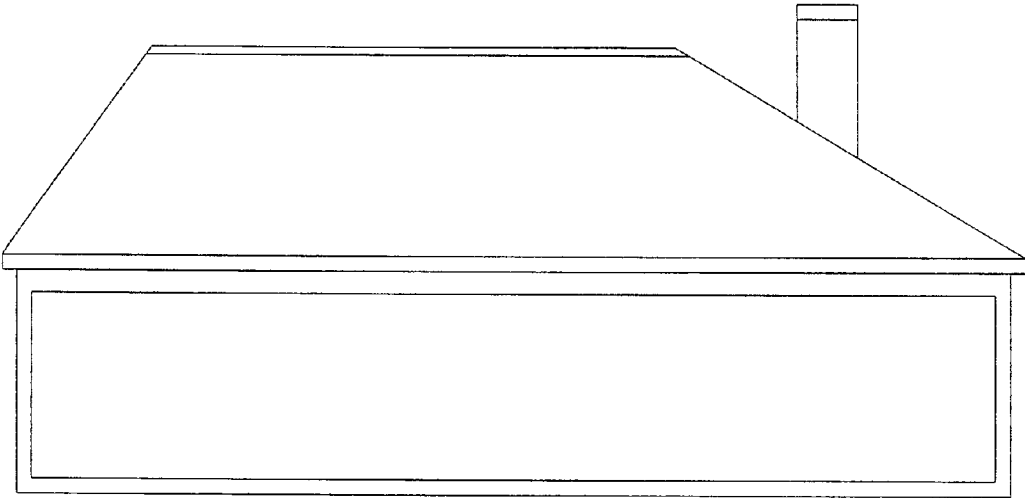


Fig. 4

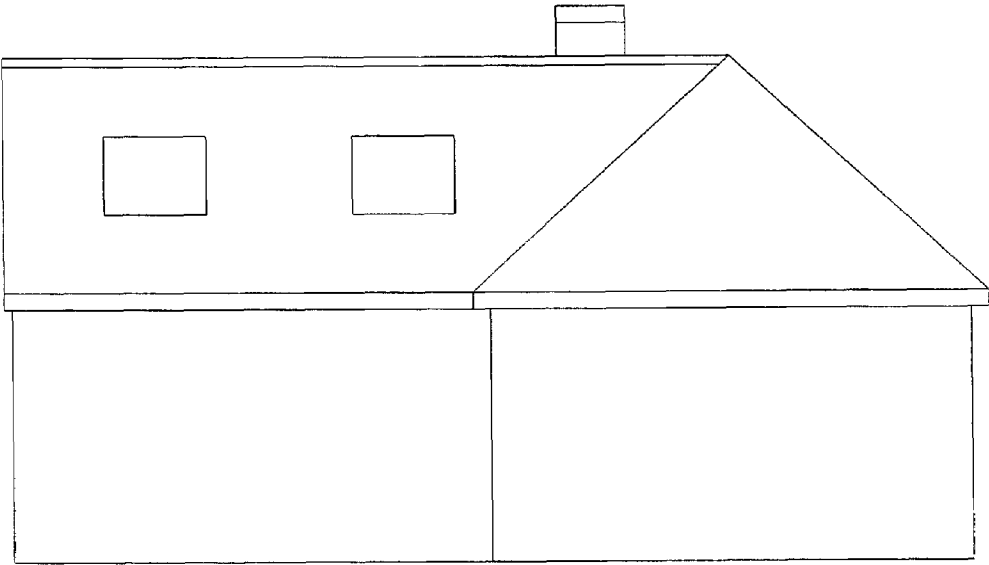


Fig. 5

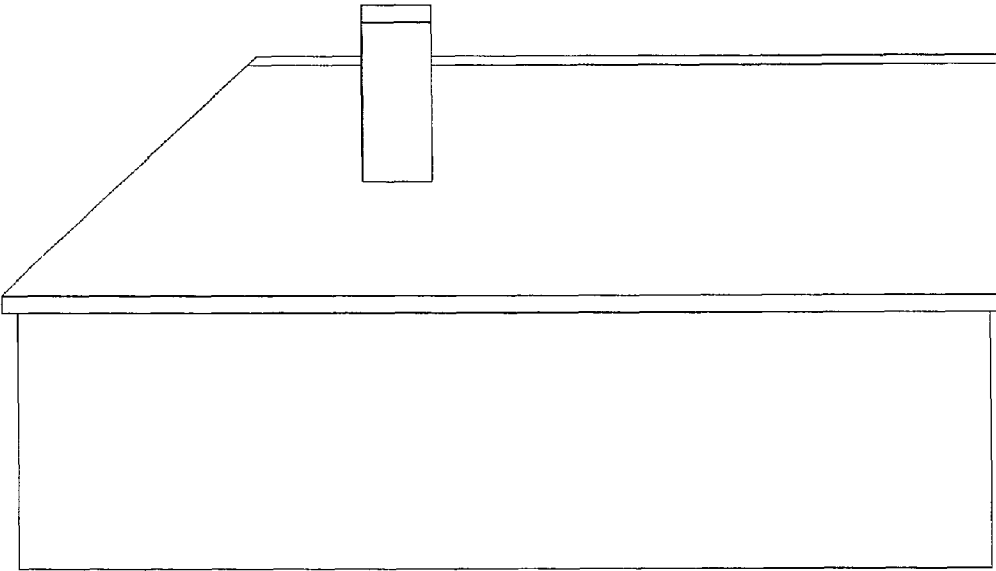


Fig. 6

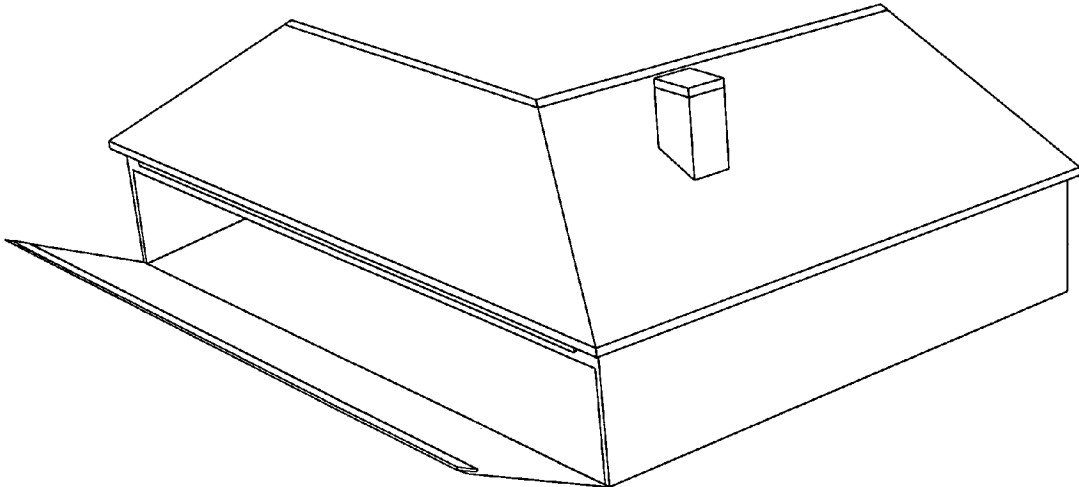


Fig. 7



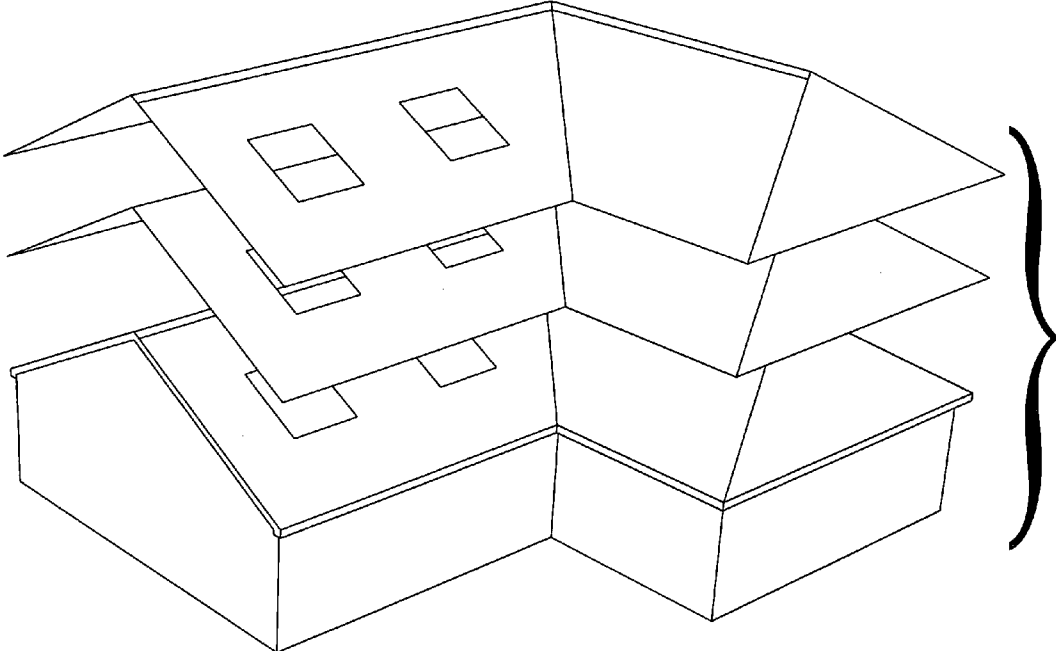


Fig. 8