



US00D579538S

(12) **United States Design Patent**  
**Brown, Jr.**

(10) **Patent No.:** **US D579,538 S**

(45) **Date of Patent:** **\*\* Oct. 28, 2008**

(54) **SCENTED AIR VENT**

(76) Inventor: **Tommy Brown, Jr.**, 5920 Margate Ave.,  
Virginia Beach, VA (US) 23462

(\*\*) Term: **14 Years**

(21) Appl. No.: **29/289,994**

(22) Filed: **Aug. 10, 2007**

(51) **LOC (8) Cl.** ..... **23-99**

(52) **U.S. Cl.** ..... **D23/388**

(58) **Field of Classification Search** ..... D23/388,  
D23/389, 393, 385, 370, 351, 354, 386; 454/309,  
454/275-277, 284, 287-291; D26/118, 72,  
D26/152; 55/495, 422, 493, 497

See application file for complete search history.

(56) **References Cited**

**U.S. PATENT DOCUMENTS**

3,391,629	A *	7/1968	Ellwood	.....	454/290
4,338,859	A *	7/1982	Claytor	.....	454/291
4,729,292	A *	3/1988	Marton	.....	454/284
D298,276	S *	10/1988	Butcher	.....	D23/354
4,829,886	A *	5/1989	Battaglin	.....	454/289
D315,790	S *	3/1991	Koessler	.....	D23/388
5,042,368	A *	8/1991	Muller et al.	.....	454/284
5,141,707	A *	8/1992	Brite	.....	454/290
D358,205	S *	5/1995	Ruhland	.....	D23/393
5,597,392	A *	1/1997	Hawkins et al.	.....	454/290
5,697,841	A *	12/1997	Di Giovine	.....	454/290
5,716,270	A *	2/1998	Chambers	.....	454/309
5,733,191	A *	3/1998	Lam et al.	.....	454/290
D393,708	S *	4/1998	Assadi	.....	D23/388
5,776,218	A *	7/1998	Enns	.....	55/495
5,919,278	A *	7/1999	Walker	.....	55/422

D413,665	S *	9/1999	Hudson	.....	D23/393
6,033,304	A *	3/2000	Haynes	.....	454/290
6,241,794	B1 *	6/2001	Jadran et al.	.....	55/493
6,422,935	B1 *	7/2002	Yampolski	.....	454/289
D468,417	S *	1/2003	Leutz et al.	.....	D23/393
6,503,140	B1 *	1/2003	Haynes	.....	454/290
6,506,113	B2 *	1/2003	Berger	.....	454/290
6,537,146	B1 *	3/2003	Haynes	.....	454/290
6,652,375	B2 *	11/2003	Donnelly	.....	454/289
2003/0145568	A1 *	8/2003	Hodge	.....	55/497

\* cited by examiner

*Primary Examiner*—Louis S Zarfaz

*Assistant Examiner*—David G Muller

(74) *Attorney, Agent, or Firm*—William G. Sykes

(57) **CLAIM**

The ornamental design for a scented air vent, as shown.

**DESCRIPTION**

FIG. 1 is a front and back plan view of a scented air vent showing my new design;

FIG. 2 is a left side and a right side plan view thereof;

FIG. 3 is a bottom plan view thereof;

FIG. 4 is a top plan view thereof;

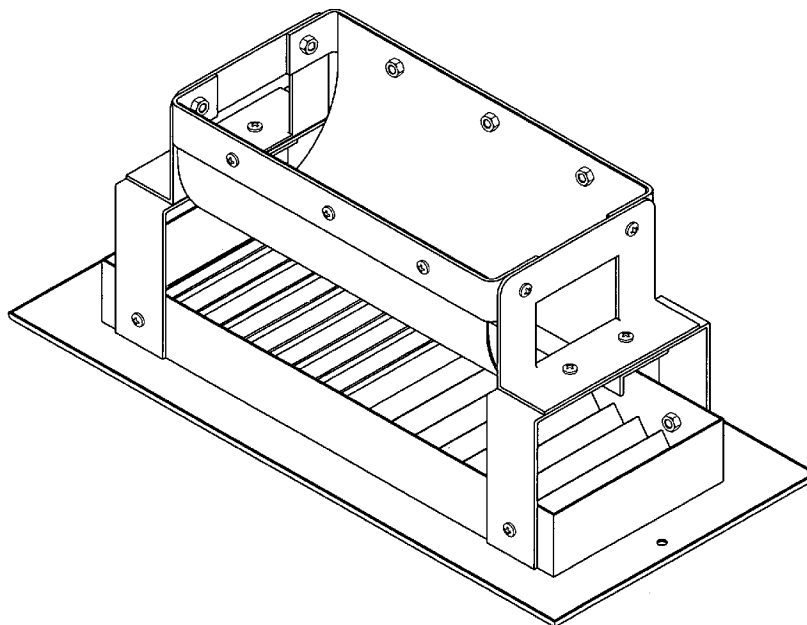
FIG. 5 is a top isometric view showing an installation view thereof;

FIG. 6 is a bottom isometric view thereof; and,

FIG. 7 is a right side plan view thereof.

The broken line showing of the installation surface and framed opening is included for the purpose of illustrating use and environment and forms no part of the claimed design.

**1 Claim, 7 Drawing Sheets**



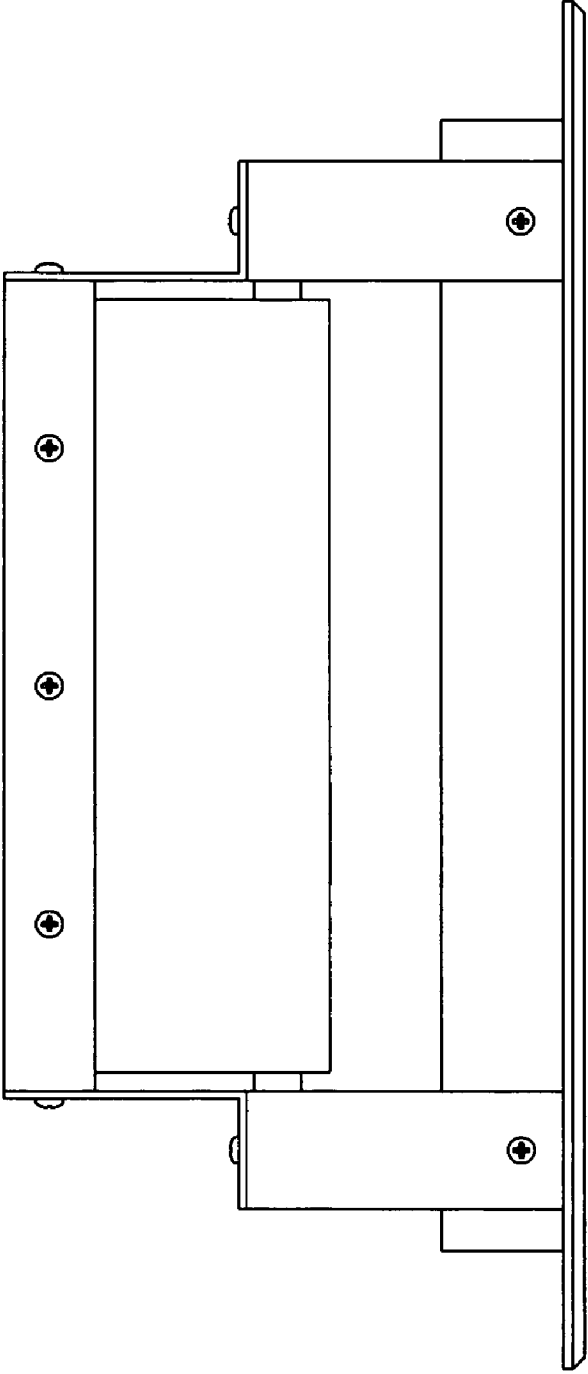


FIGURE 1

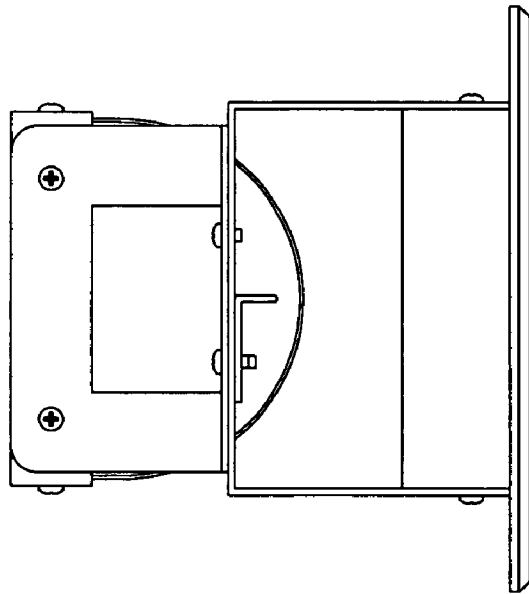


FIGURE 2

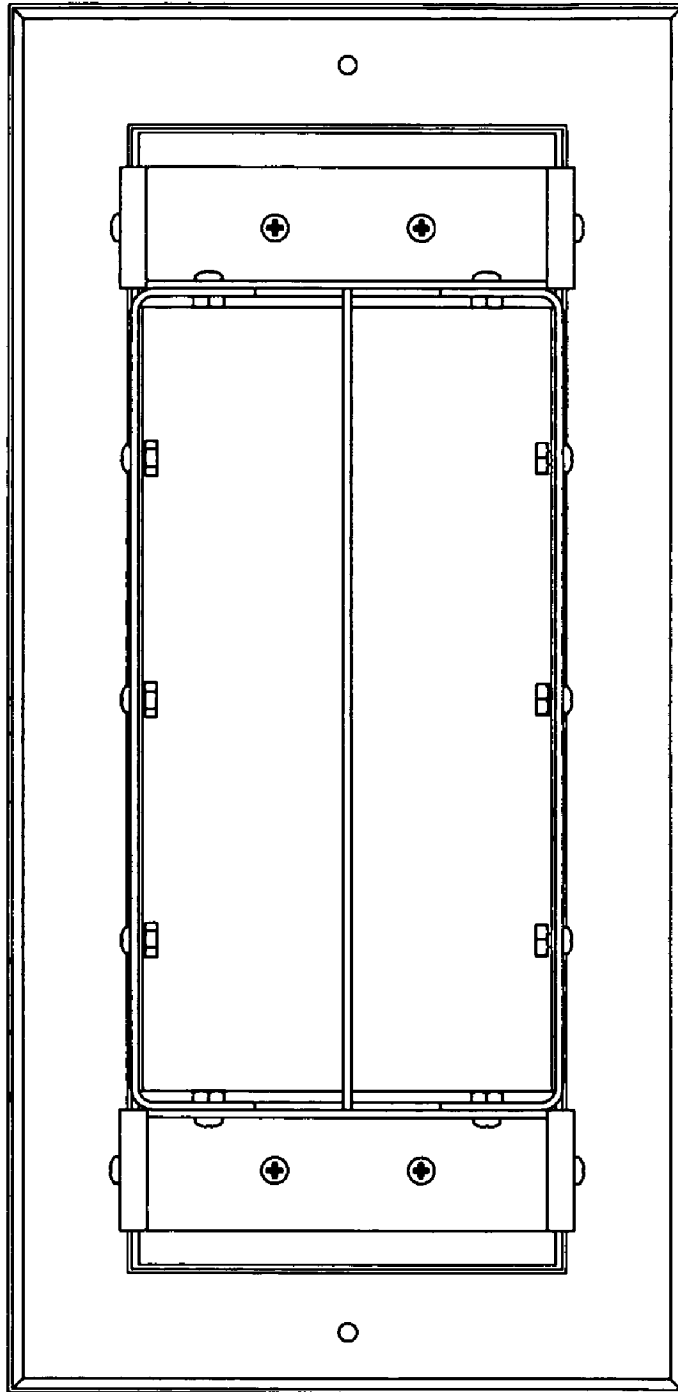


FIGURE 3

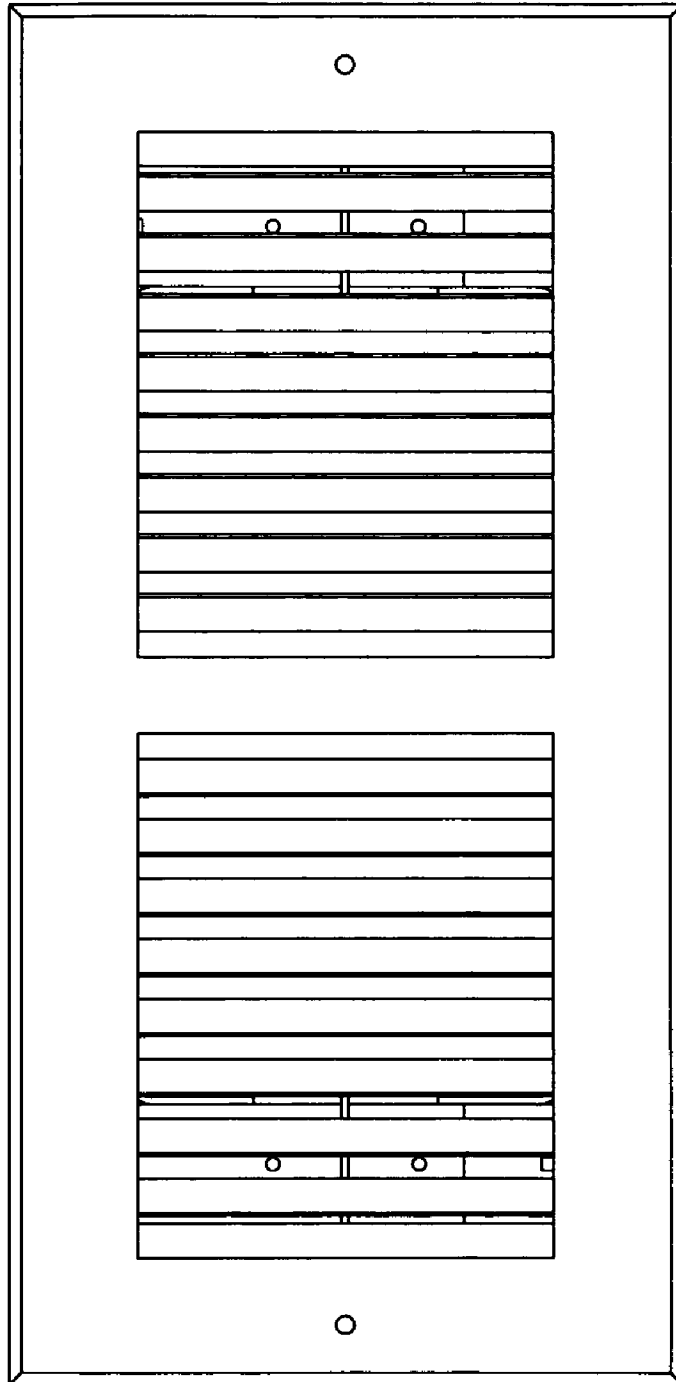


FIGURE 4

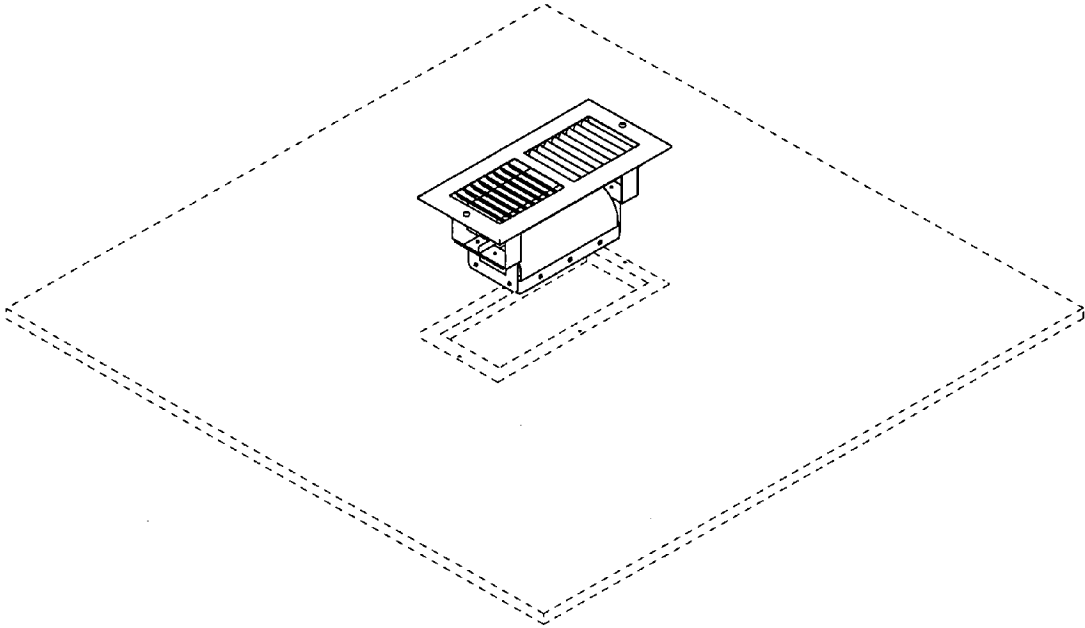


FIGURE 5

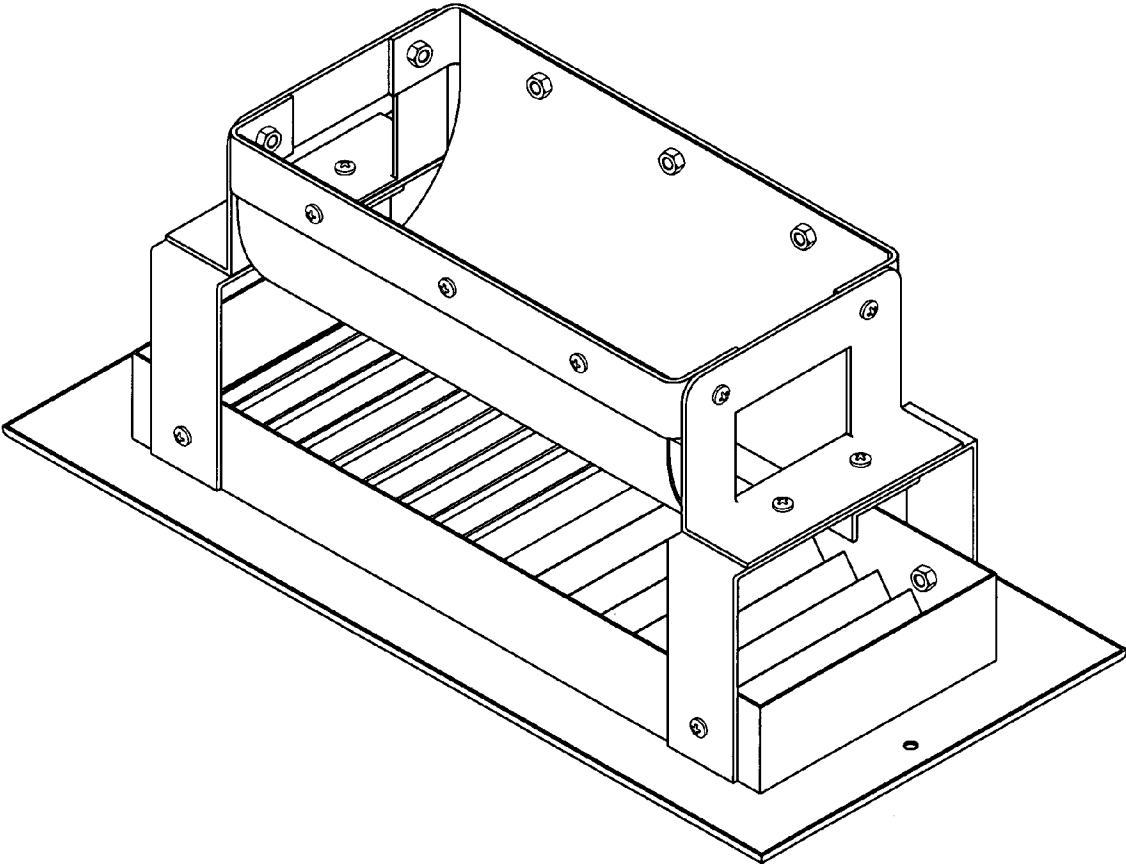


FIGURE 6

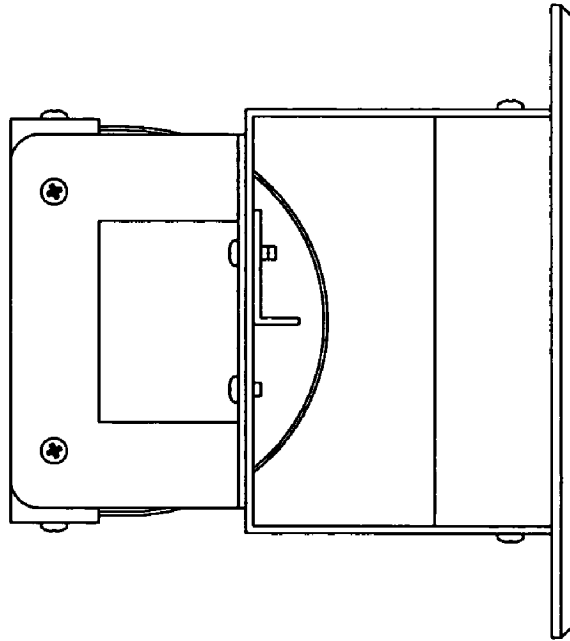


FIGURE 7